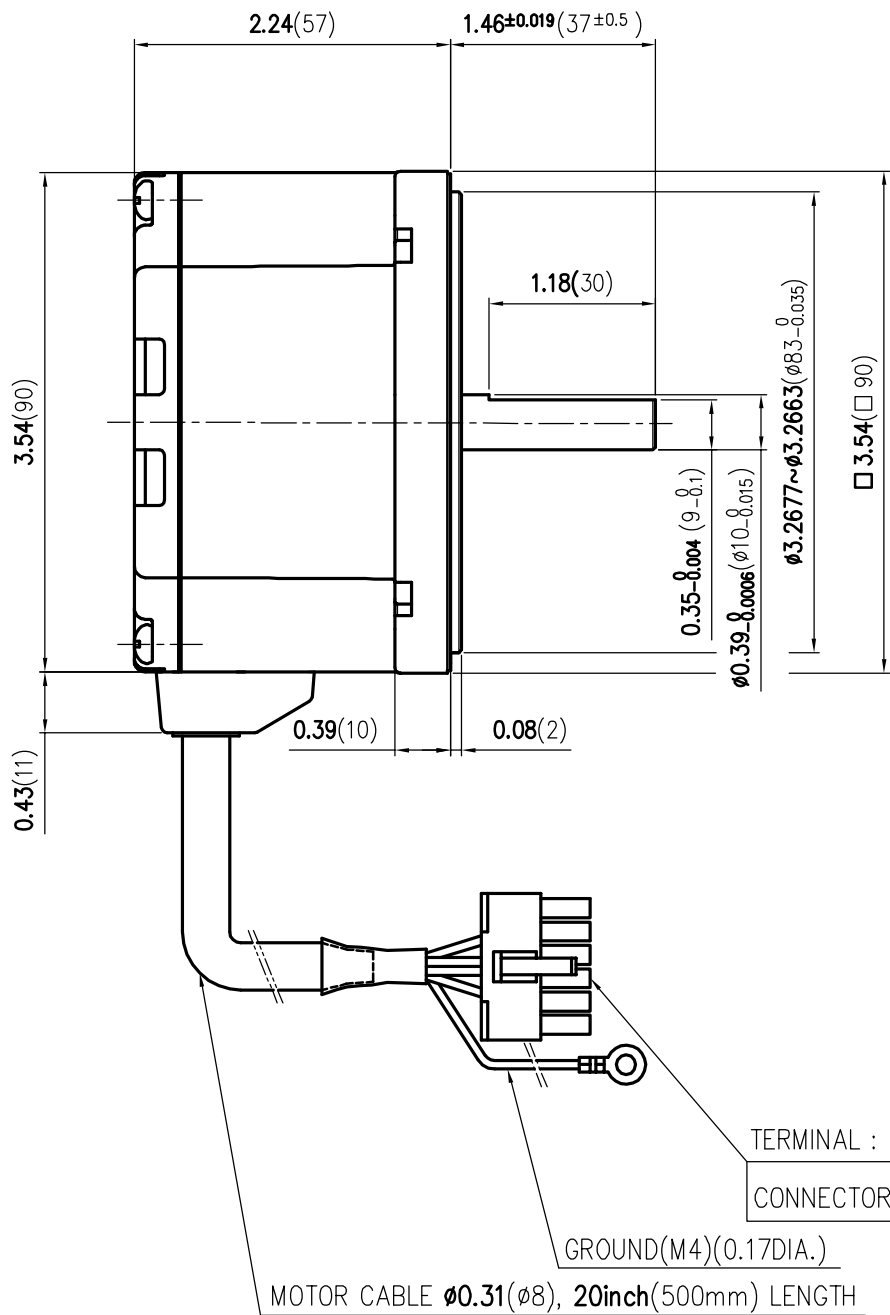
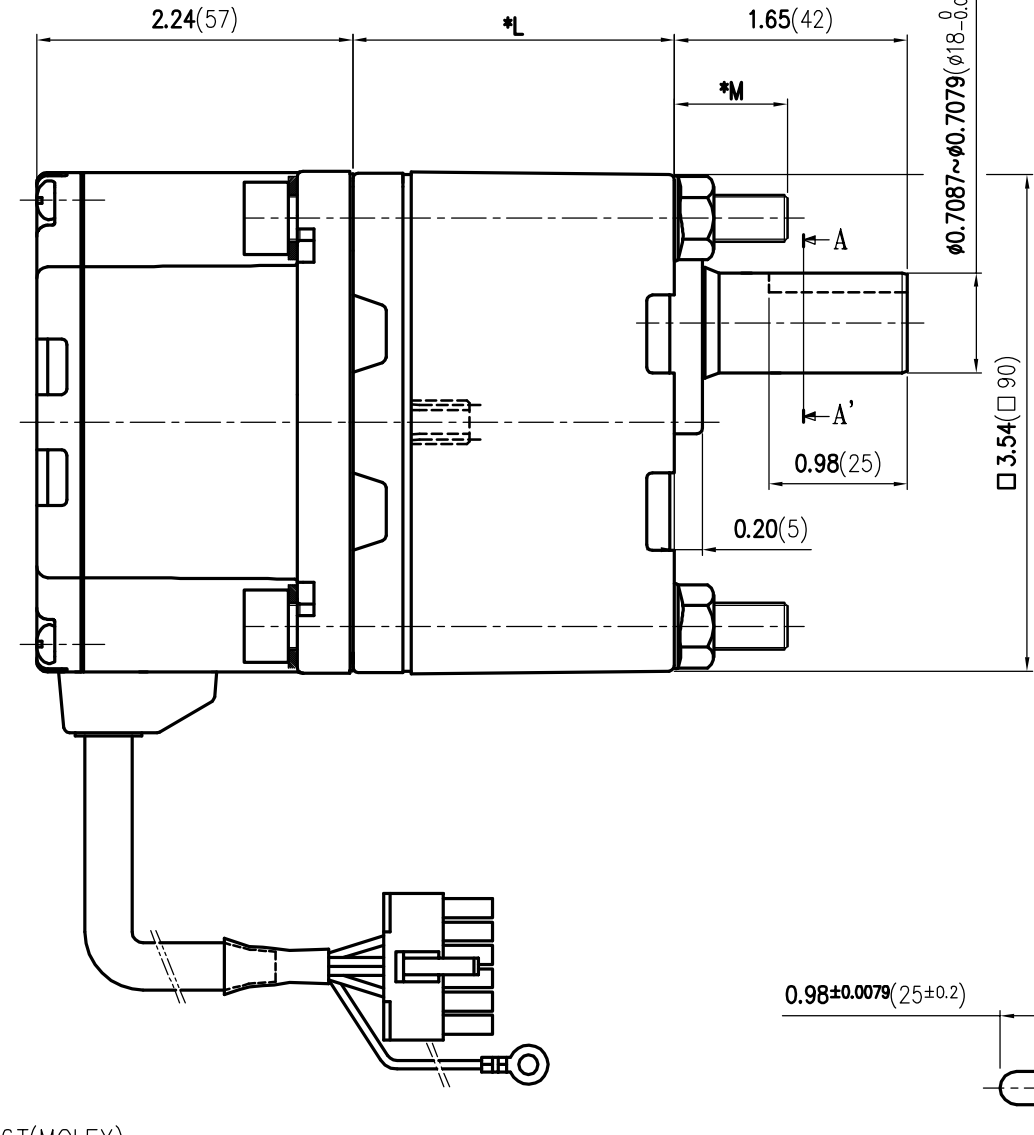


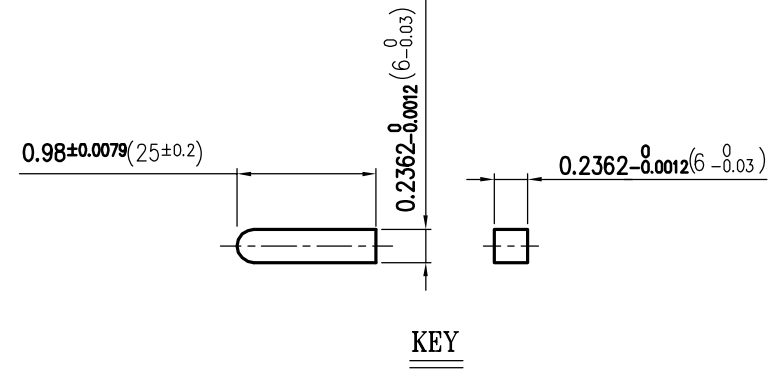
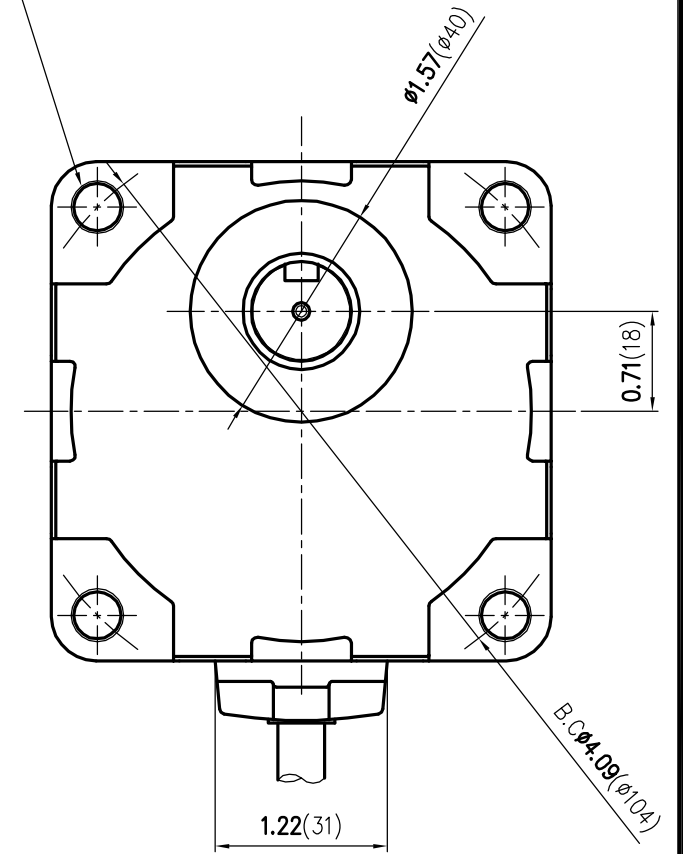
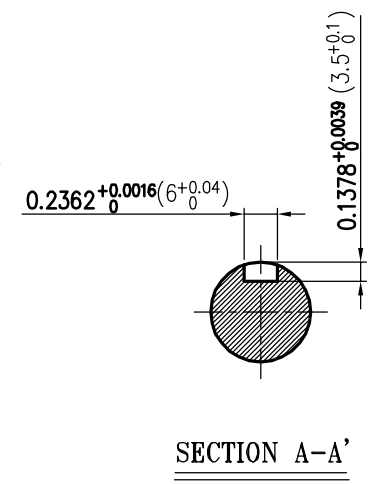
MOTOR



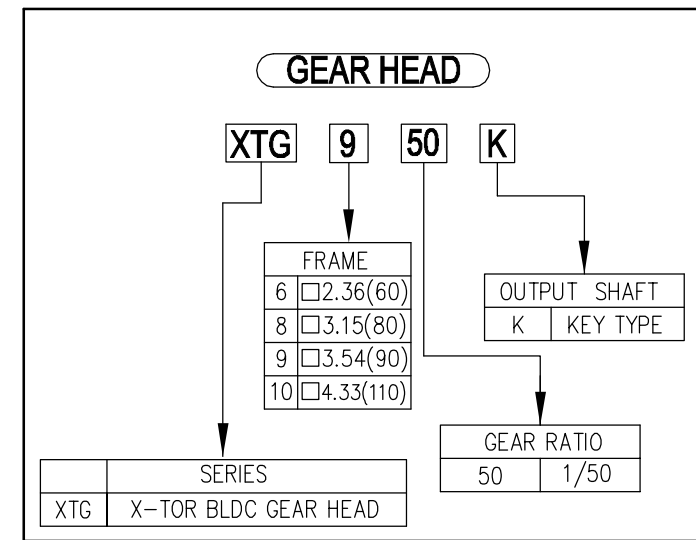
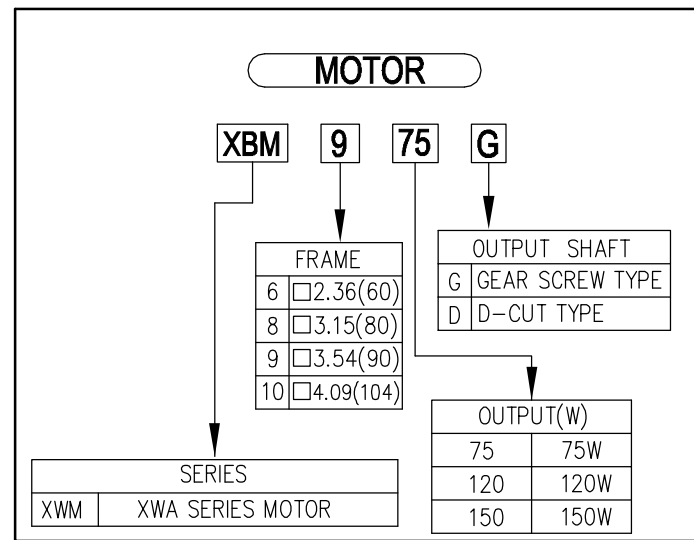
GEARED MOTOR



4-φ0.335(φ8.5) THRU HOLE



DATE	SIGN	NOTE	REVISION
MATERIAL		SURFACE FINISH	SCALE 1/1 TOLERANCE ±0.04(1.0)
DRAWN	DESIGN	CHECK	APPR.
B.H.LEE	Y.M.WON	S.H.CHA	B.Y.JEONG
SPG Co., Ltd.			작성일 DATE 2013.05.03 도번 DWG NO. 2X-0001-0907
BLDC GEARED MOTOR ASS'Y XBA9()- □K SERIES(1/2 PAGE)			



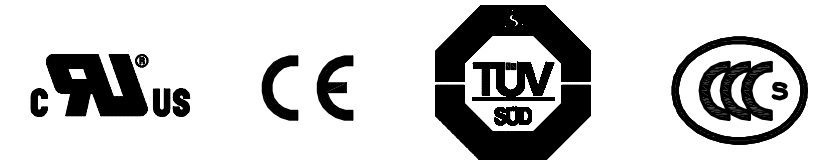
※ MOTOR / PARALLEL SHAFT GEARHEAD

PRODUCT SERIES	MOTOR	GEAR HEAD	GEAR RATIO	*L inch(mm)	SCREW SET	SCREW SET PROTRUDING LENGTH *M inch(mm)	PERMISSIBLE OVERHANG LOAD			
							0.3937(10mm) FROM END OF THE OUTPUT SHAFT		0.7874(20mm) FROM END OF THE OUTPUT SHAFT	
							N	Kgf(lbs.)	N	Kgf(lbs.)
XBA BLDC SPEED CONTROL SYSTEM (AC INPUT)	XBM975G	XTG9 SERIES SEE GEARHEAD CODING SYSTEM	5	1.77(45)	M8*L75	0.72(18.4)	300	66.08(30)	400	99.12(45)
	XBM975D		10, 15, 20				400	99.12(45)	500	110.13(50)
	XBM9120G		30, 50, 100	2.28(58)	M8*L90	0.80(20.4)	500	99.12(45)	650	143.17(65)
	XBM9120D									
	XBM9150G		200	2.52(64)	M8*L95	0.76(19.4)				
	XBM9150D									

ITEM	SPEED CONTROL RANGE [r/min.]	PERMISSIBLE TORQUE-GEARED MOTOR					N=M / [kgf-cm(lb-in)]			
		20~400	10~200	6.7~133	5~100	3.3~67	2~40	1~20	0.5~10	
	GEAR RATIO	5	10	15	20	30	50	100	200	
	XBA975()-□K	0.90 7.81(9.0)	1.80 15.62(18.0)	2.70 23.43(27.0)	3.60 31.25(36)	5.1 44.27(51)	8.5 73.78(85)	17.0 147.55(170)	30.0 260.38(300)	
	XBA9120()-□K	2.10	4.10	6.00	8.00	11.5	19.3	30.0	30.0	
	XBA9150()-□K	17.36(20.0)	34.72(40)	52.08(60)	69.44(80)	99.44(115)	167.51(193)	260.38(300)	260.38(300)	

NOTE

1. UNIT : INCH (mm)
2. IP PROTECTION : IP65
3. CERTIFICATION STATUS : UL, CE, TUV, CCC



날 짜 DATE	서 명 SIGN	변 경 내 용 NOTE	변 경 이 유 REVISION
재 질 MATERIAL	표 면 처 리 SURFACE FINISH	척 도 SCALE 1/1	공 차 TOLERANCE ±0.04(1.0)
제 도 DRAWN B.H.LEE	설 계 DESIGN Y.M.WON	검 도 CHECK S.H.CHA	승 인 APPR. B.Y.JEONG
도 명 NAME			BLDC GEARED MOTOR ASS'Y
			XBA9()- □K SERIES(2/2 PAGE)
SPG SPG Co., Ltd.		작 성 일 DATE 2013.05.03	도 번 DWG NO. 2X-0001-0907