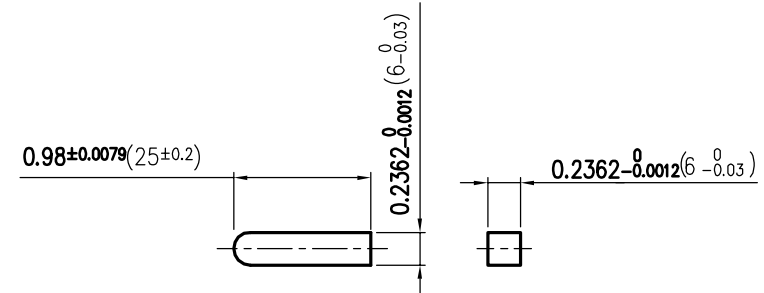
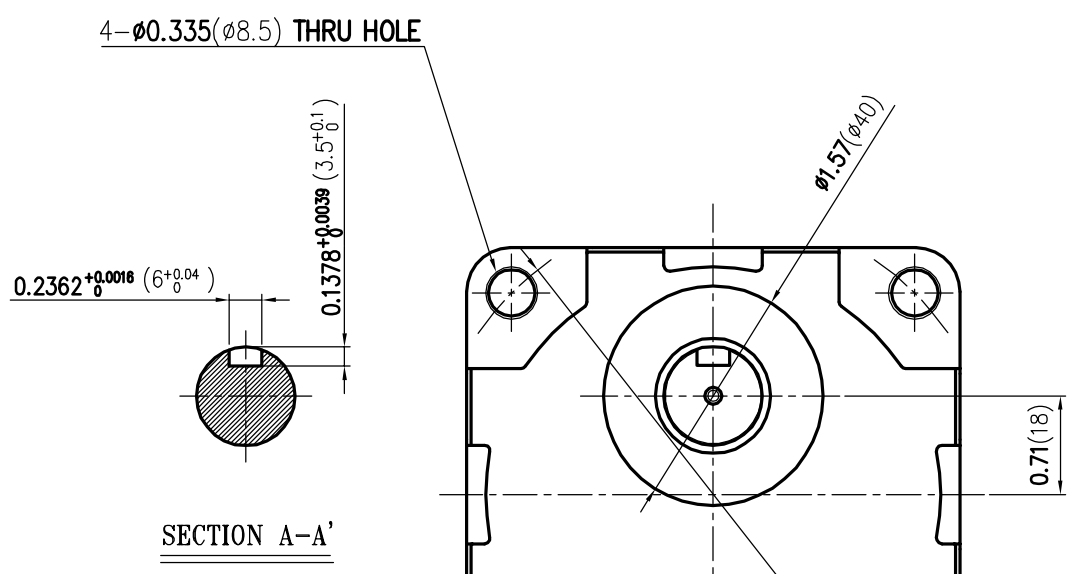
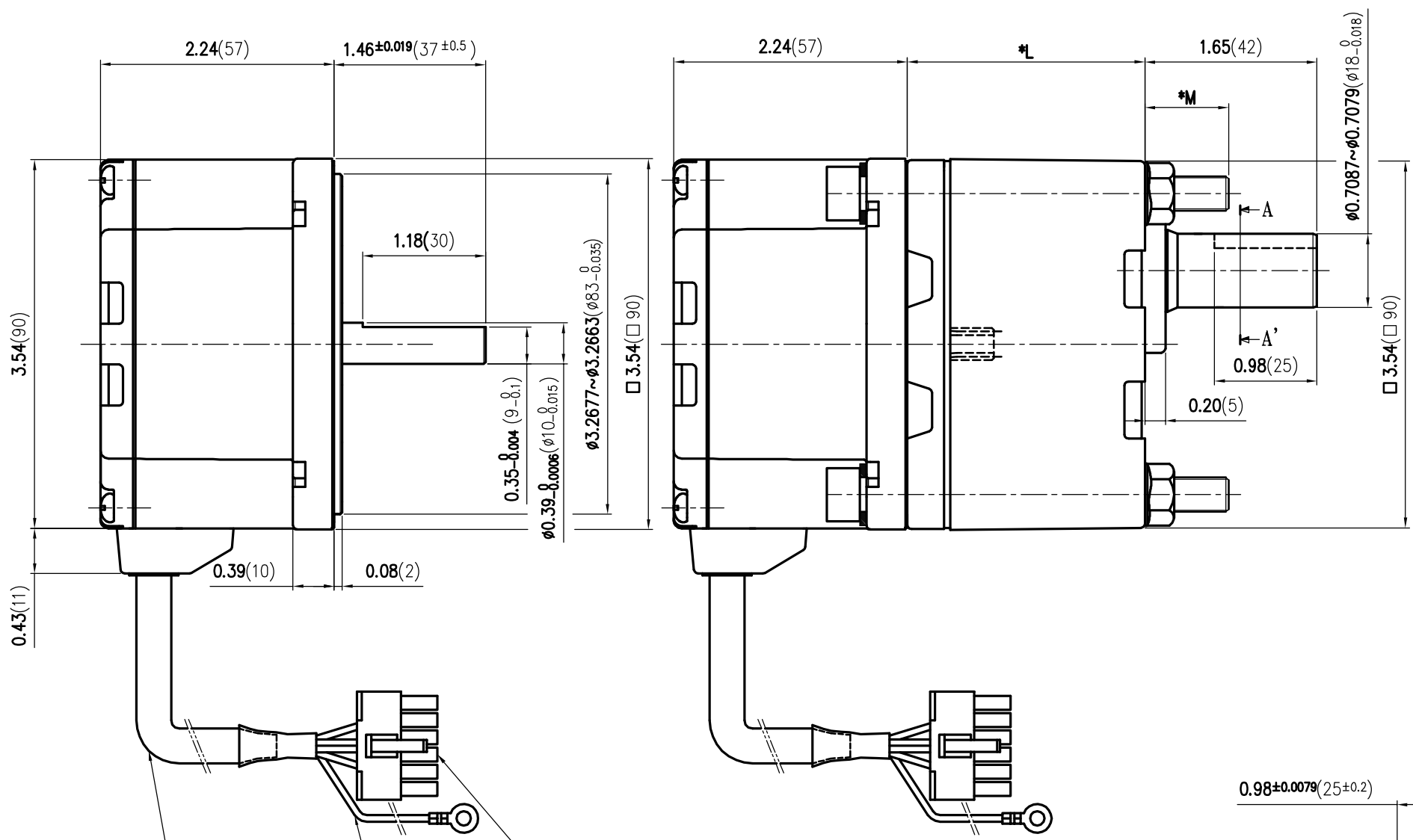


MOTOR

GEARED MOTOR

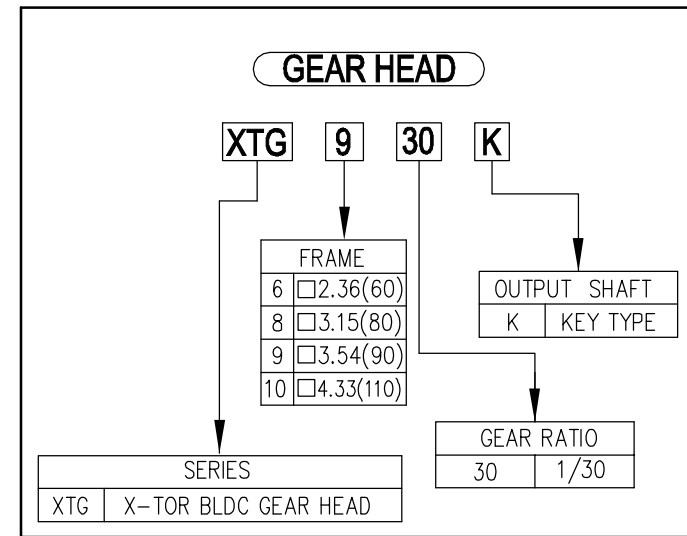
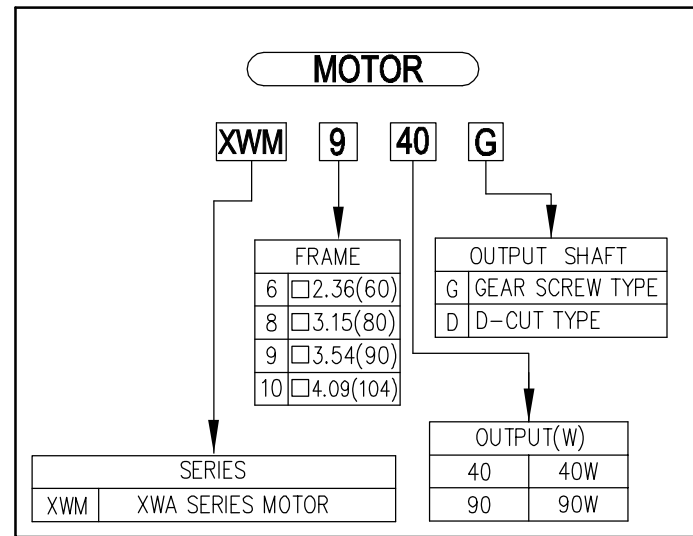


TERMINAL : 5556T(MOLEX)
CONNECTOR HOUSING : 5557-12R(MOLEX)

GROUND(M4)(0.17DIA.)
MOTOR CABLE φ0.31(φ8), 20inch(500mm) LENGTH

KEY

DATE	SIGN	NOTE	REVISION
MATERIAL	SURFACE FINISH	SCALE 1/1	TOLERANCE ±0.04(1.0)
DRAWN	DESIGN	CHECK	APPR.
B.H.LEE	Y.M.WON	S.H.CHA	B.Y.JEONG
BLDC GEARED MOTOR ASS'Y			
XWA9()- □K SERIES(1/2 PAGE)			
SPG Co., Ltd.		DATE 2013.05.03	DWG NO. 2X-0001-0904



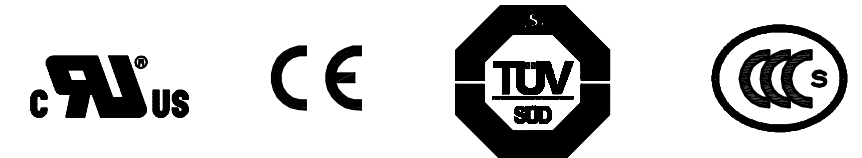
※ MOTOR / PARALLEL SHAFT GEARHEAD

PRODUCT SERIES	MOTOR	GEAR HEAD	GEAR RATIO	*L inch(mm)	SCREW SET	SCREW SET PROTRUDING LENGTH *M inch(mm)	PERMISSIBLE OVERHANG LOAD			
							0.3937(10mm) FROM END OF THE OUTPUT SHAFT		0.7874(20mm) FROM END OF THE OUTPUT SHAFT	
							N	Kgf(lbs.)	N	Kgf(lbs.)
XWA BLDC SPEED CONTROL SYSTEM (AC INPUT)	XWM940G	XTG9 SERIES SEE GEARHEAD CODING SYSTEM	5	1.77(45)	M8*L75	0.72(18.4)	300	66.08(30)	400	99.12(45)
	10, 15, 20		400				99.12(45)	500	110.13(50)	
	XWM940D		30, 50, 100	2.28(58)	M8*L90	0.80(20.4)	500	99.12(45)	650	143.17(65)
	XWM990G		200	2.52(64)	M8*L95	0.76(19.4)				
XWM990D										

ITEM	SPEED CONTROL RANGE [r/min.]	PERMISSIBLE TORQUE-GEARED MOTOR							
		N-M /[kgf-cm(lb-in)]							
		20~400	10~200	6.7~133	5~100	3.3~67	2~40	1~20	0.5~10
	GEAR RATIO	5	10	15	20	30	50	100	200
	XWA940()-□ K	0.90 7.81(9.0)	1.80 15.62(18.0)	2.70 23.43(27.0)	3.60 31.25(36)	5.1 44.27(51)	8.5 73.78(85)	17.0 147.55(170)	30.0 260.38(300)
	XBA990()-□ K	2.10 17.36(20.0)	4.10 34.72(40)	6.00 52.08(60)	8.00 69.44(80)	11.5 99.44(115)	19.3 167.51(193)	30.0 260.38(300)	30.0 260.38(300)

NOTE

1. UNIT : INCH (mm)
2. IP PROTECTION : IP65
3. CERTIFICATION STATUS : UL, CE, TUV, CCC



DATE		SIGN		NOTE		REVISION	
재질	표면처리	척도	1/1	공차	±0.04(1.0)		
제도	설계	검도	승인	BLDC GEARED MOTOR ASS'Y XWA9()-□ K SERIES(2/2 PAGE)			
B.H.LEE	Y.M.WON	S.H.CHA	B.Y.JEONG				
SPG Co., Ltd.				작성일	2013.05.03	도번	2X-0001-0904