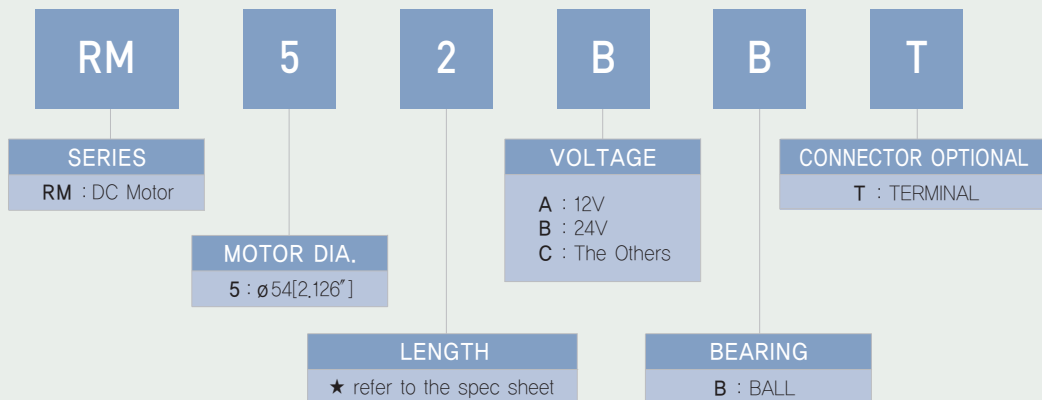
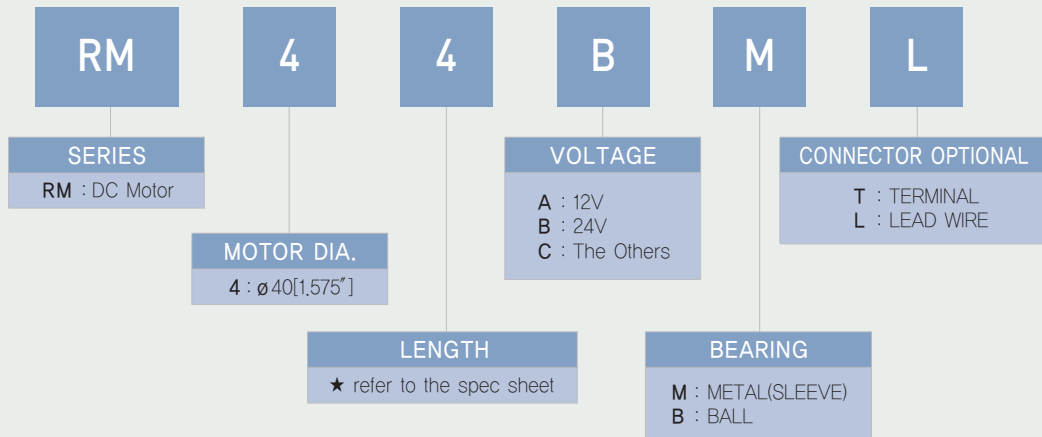
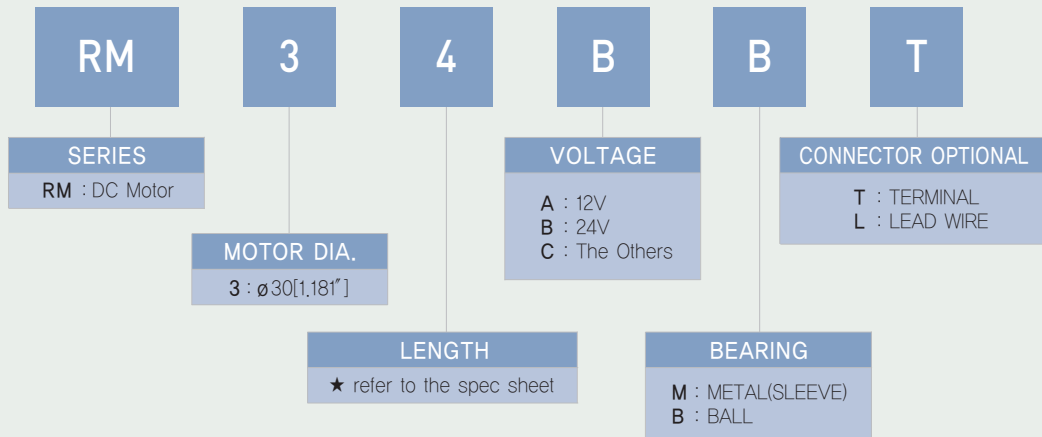


# CODING SYSTEM

## COMPACT TYPE

### RM TYPE

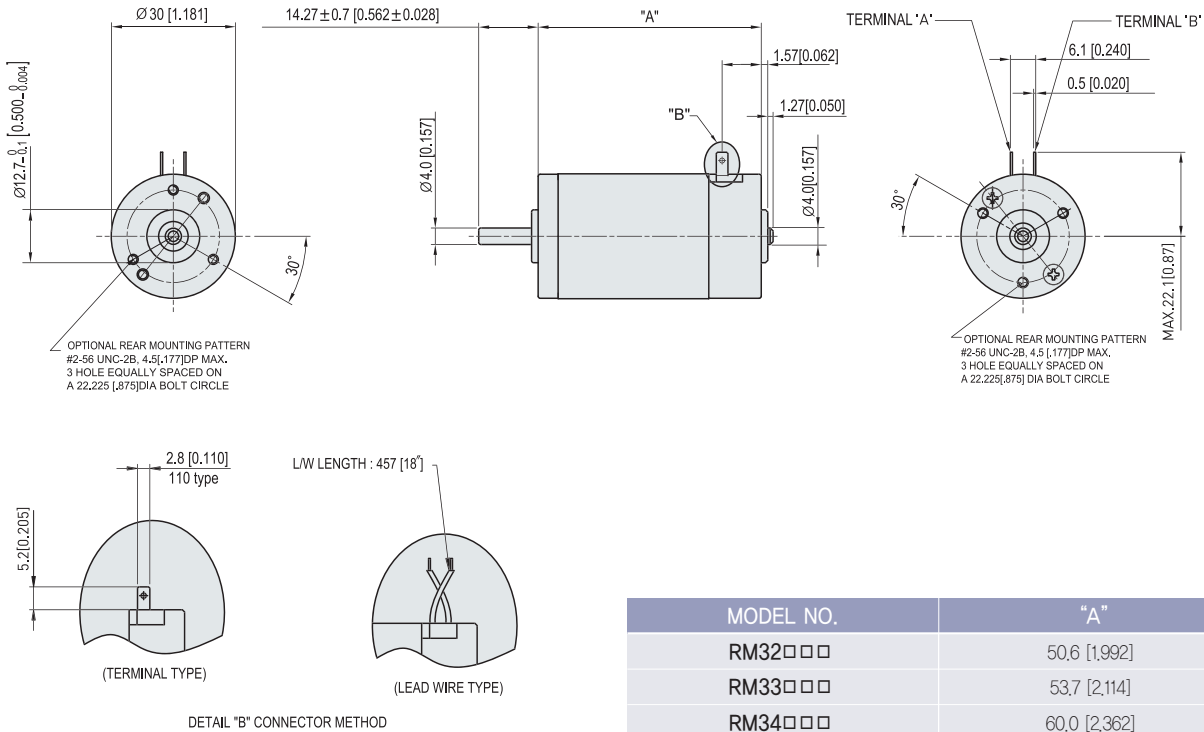




# COMPACT TYPE RM3 SERIES MOTOR

## MOTOR DIMENSION

UNIT : mm[inch]



MODEL NO.	"A"
RM32□□□	50.6 [1,992]
RM33□□□	53.7 [2,114]
RM34□□□	60.0 [2,362]

## MOTOR SPECIFICATION

( Voltage : DC 24V )

Type	No Load		Rated			Stall(Peak)		Run Duty	Weight		
	Revolution	Current	Contionous Torque(Max.)		Revolution	Current	Peak Torque			Current	
	RPM	A	-	-	RPM	A	-			A	
RM32B□□	7750	0.24	0.011	N-m	5800	0.55	0.048	N-m	2.05	500	0.59
			1.6	oz-in			6.8	oz-in			
			0.11	kgf · cm			0.49	kgf · cm			
RM33B□□	8132	0.28	0.014	N-m	6550	0.62	0.070	N-m	3.15	500	0.74
			2.0	oz-in			9.9	oz-in			
			0.14	kgf · cm			0.71	kgf · cm			
RM34B□□	10160	0.40	0.018	N-m	8120	1.11	0.127	N-m	6.05	500	0.89
			2.5	oz-in			18.0	oz-in			
			0.18	kgf · cm			1.30	kgf · cm			

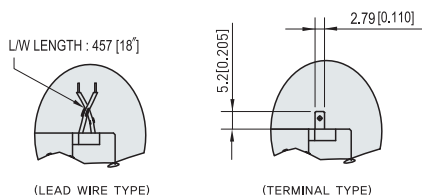
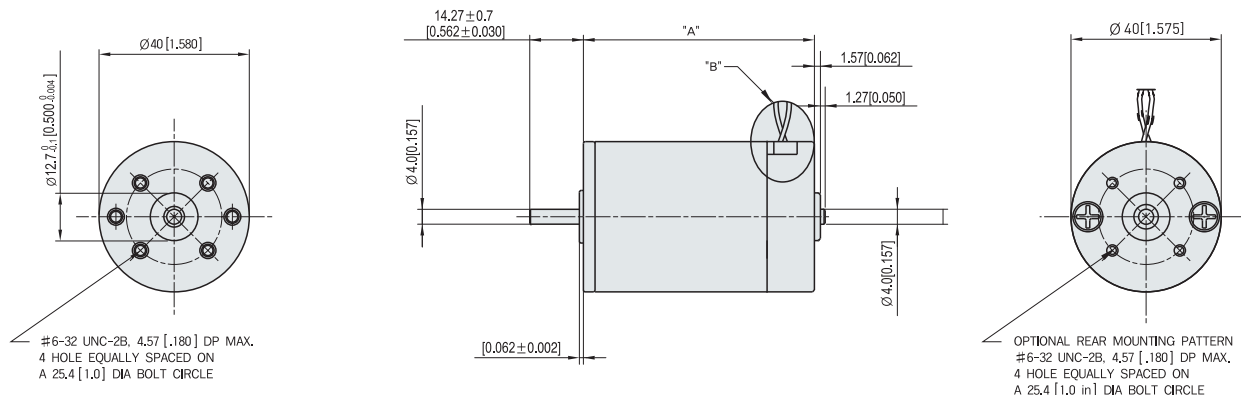
※ Run duty is valued at rated Voltage and No load.



# COMPACT TYPE RM4 SERIES MOTOR

## MOTOR DIMENSION

UNIT : mm[inch]



DETAIL "B" CONNECTOR METHOD

MODEL NO.	"A"
RM42□□□	46.4 [1.827]
RM43□□□	56.0 [2.205]
RM44□□□	61.1 [2.406]
RM45□□□	68.7 [2.705]
RM46□□□	77.6 [3.055]

## MOTOR SPECIFICATION

( Voltage : DC 24V )

Type	No Load		Rated			Stall(Peak)		Run Duty	Weight		
	Revolution	Current	Conituous Torque(Max.)		Revolution	Current	Peak Torque			Current	
	RPM	A	-		RPM	A	-			A	
RM42B□□	7015	0.24	0.02	N-m	5497	0.74	0.064	N-m	2.9	1000	0.20
			2.22	oz-in			9.02	oz-in			
			0.16	kgf · cm			0.65	kgf · cm			
RM43B□□	5993	0.20	0.03	N-m	4486	1.13	0.140	N-m	5.0	1000	0.25
			4.58	oz-in			19.84	oz-in			
			0.33	kgf · cm			1.43	kgf · cm			
RM44B□□	6151	0.24	0.04	N-m	5111	1.20	0.266	N-m	7.7	1000	0.29
			5.97	oz-in			37.61	oz-in			
			0.43	kgf · cm			2.71	kgf · cm			
RM45B□□	6348	0.30	0.05	N-m	5440	1.58	0.324	N-m	10.8	1000	0.33
			6.80	oz-in			45.93	oz-in			
			0.49	kgf · cm			3.31	kgf · cm			
RM46B□□	4916	0.24	0.07	N-m	4101	1.53	0.369	N-m	8.7	1000	0.39
			9.44	oz-in			52.32	oz-in			
			0.68	kgf · cm			3.77	kgf · cm			

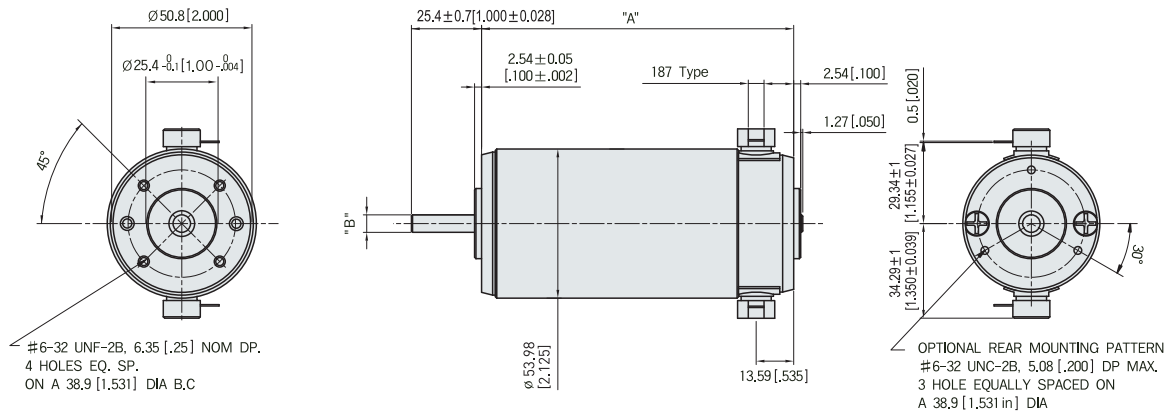
\* Run duty is valued at rated Voltage and No load.



# COMPACT TYPE RM5 SERIES MOTOR

## MOTOR DIMENSION

UNIT : mm[inch]



MODEL NO.	"A"	"B"
RM51□□□	75.0 [2.953]	6,336±0.003 [0,2494±0.0001]
RM52□□□	81.0 [3.189]	
RM53□□□	94.0 [3.701]	

MODEL NO.	"A"	"B"
RM54□□□	103.4 [4.071]	6,336±0.003 [0,2494±0.0001]
RM55□□□	113.0 [4.449]	

## MOTOR SPECIFICATION

( Voltage : DC 24V)

Type	No Load		Rated				Stall(Peak)		Run Duty	Weight	
	Revolution	Current	Conionuous Torque(Max.)		Revolution	Current	Peak Torque	Current			
	RPM	A	-		RPM	A	-	A			
RM51B□T	4230	0.4	0.06	N-m	3725	1.36	0.46	N-m	11,36	2000	0.59
			8.0	oz-in			64.5	oz-in			
			0.58	kgf · cm			4.65	kgf · cm			
RM52B□T	4087	0.5	0.09	N-m	3595	1.94	0.67	N-m	15,55	2000	0.74
			12.8	oz-in			94.8	oz-in			
			0.92	kgf · cm			6.83	kgf · cm			
RM53B□T	3400	0.5	0.15	N-m	2930	2.67	0.96	N-m	19,27	2000	0.89
			21.2	oz-in			135.7	oz-in			
			1.53	kgf · cm			9.78	kgf · cm			
RM54B□T	3630	0.5	0.18	N-m	3180	3.18	1.31	N-m	26,47	2000	1
			25.5	oz-in			185.4	oz-in			
			1.84	kgf · cm			13.36	kgf · cm			
RM55B□T	2900	0.4	0.22	N-m	2510	3.05	1.46	N-m	23,6	2000	1.12
			31.1	oz-in			207.0	oz-in			
			2.24	kgf · cm			14.92	kgf · cm			

※ Run duty is valued at rated Voltage and No load.