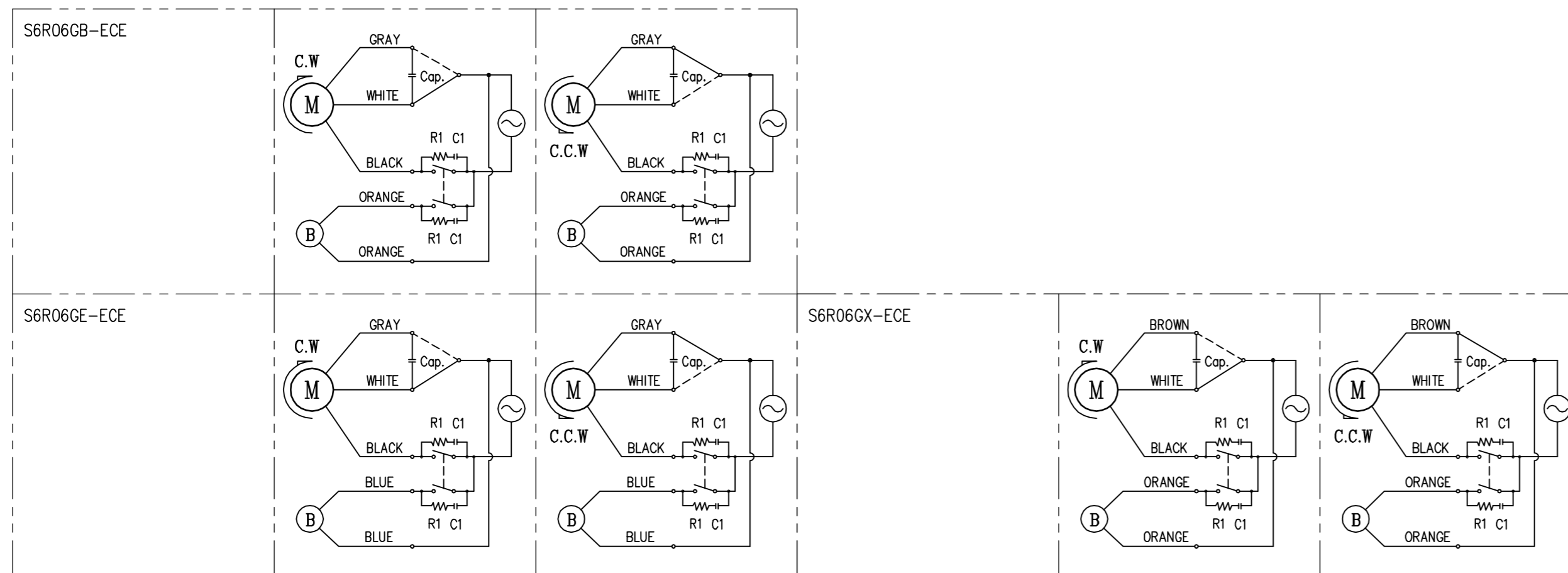


▽ SCHEMATIC



NOTE

1. TYPE : AC INDUCTION MOTOR (ELECTRO-MAGNETIC BRAKE TYPE)
2. ROTATION : VIEWED FROM SHAFT END C.W. or C.C.W.
3. END PLAY : 0.02inch (0.5mm) Max.

DATE	SIGN	NOTE	REVISION
MATERIAL	SURFACE FINISH	SCALE 1/1	TOLERANCE ± 0.04 [1.0]
DRAWN J.S. HONG 2011.06.24	DESIGN B.Y. JEONG 2011.06.24	CHECK S.M. KIM 2011.06.24	APPR. NAME
<b>MOTOR ASS'Y</b>			
<b>S6R06G□ -ECE</b>			
SPG Co., Ltd.		DATE	DWG NO.