

P Series

SINGLE PHASE MOTOR

▶ Output Range : phase 0.2~0.4kW



Product Coding

SERIES	EFFICIENCY	FRAME NO	OUTPUT	POLE	VOLTAGE	MOUNTING	TYPE	LOCATION
P	<input type="checkbox"/>	<input type="checkbox"/>	020 040	<input type="checkbox"/>	<input type="checkbox"/>	<input type="checkbox"/>	A&B	<input type="checkbox"/>

Motor Option

A	<p>Lead wire Box Type</p> <ul style="list-style-type: none"> - Basic model without additional devices attached. Lead wires in the lead box to protect contact points. - Connect the lead wires provided on the motor to the power supply - Protection grade : IP55 	
B	<p>Terminal Box Type</p> <ul style="list-style-type: none"> - Basic model without additional devices attached. A model with a built-in terminal strip in the lead box. - Connect power supply to the terminals to start operation - Protection grade : IP55 	



P Series 1-Phase Flange Mounted Type

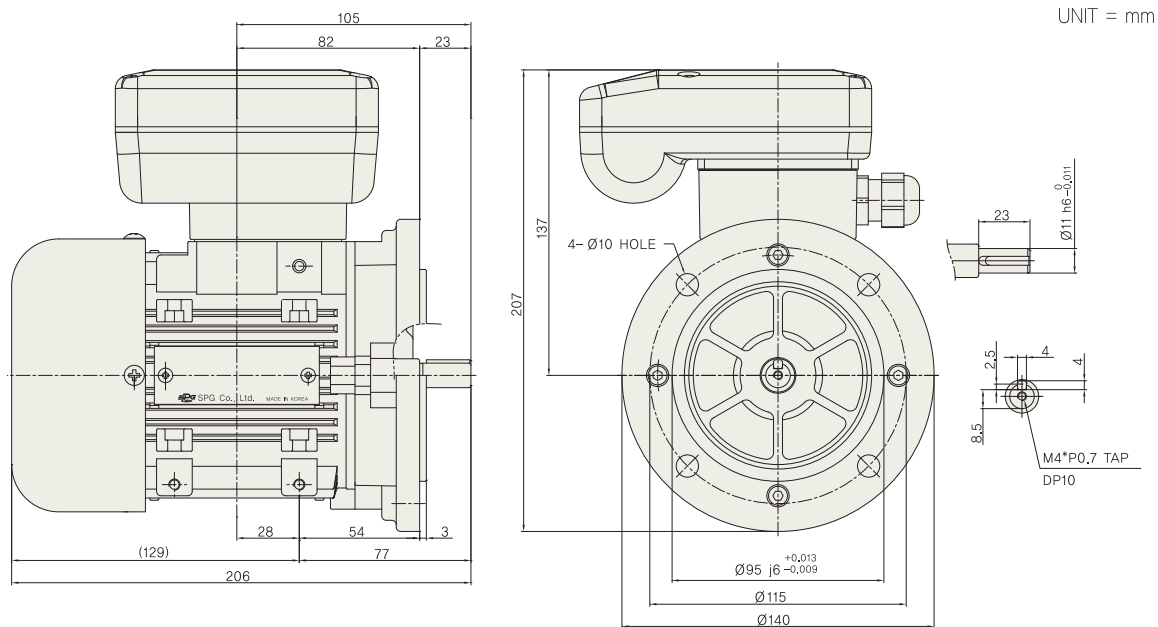
0.2kW

■ SPECIFICATION

■ MOTOR

Frame No.	Output (kW)	Model Name	Poles	Voltage (V)	Freq. (Hz)	Duty	Rated Load					Degrees of protection	Insulation Classification	Protective Cooling System
							Current (A)	Speed (r/min)	Torque (kgf-cm)	Power Factor(p.u.)	Efficiency (%)			
63M	0,18	PMAG020-4H1F□□	4	220	60	CONT.	1,35	1670	10,4	0,98	58,6	IP55	F	Totally Enclosed Fan-Cooled

■ PE-F Type DIMENSIONS [Flange Mounted Type]



- Note) • Key and Key groove tolerance : KS B 1311
• $\varnothing D$ tolerance for output shaft : KS B 0401

Bearing No.		Weight
Load	Unload	
6206ZZ	6205ZZ	6kg

Model Name Coding
9Page

Specification for output shaft
30Page

Technological Data
101Page



P Series 1-Phase Flange Mounted Type

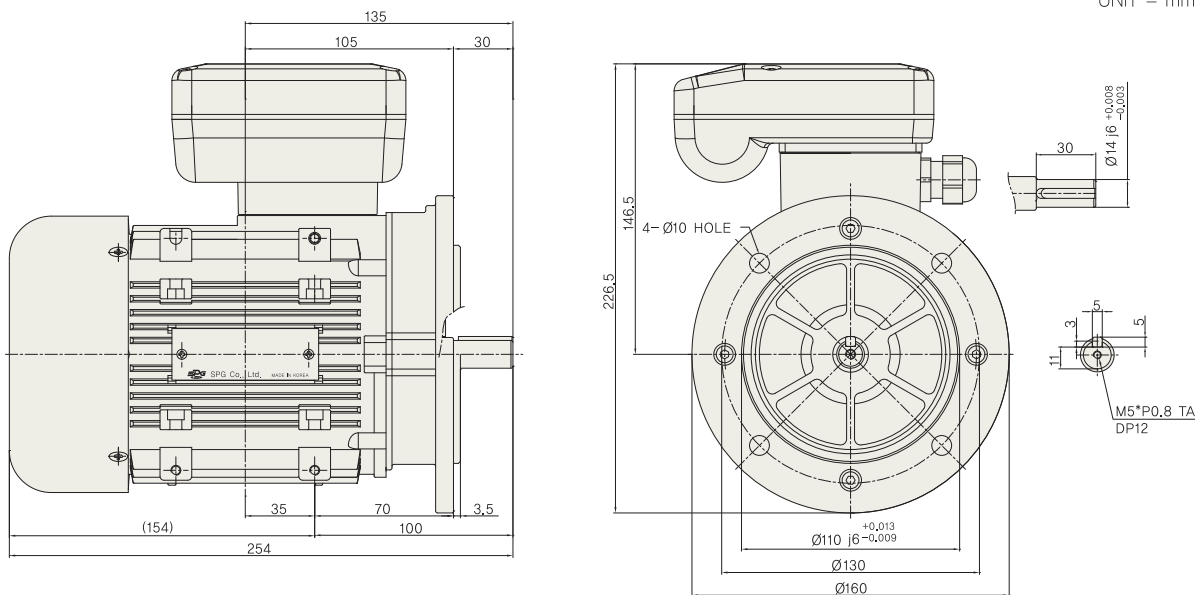
0.4kW

■ SPECIFICATION

■ MOTOR

Frame No.	Output (kW)	Model Name	Poles	Voltage (V)	Freq. (Hz)	Duty	Rated Load					Degrees of protection	Insulation Classification	Protective Cooling System
							Current (A)	Speed (r/min)	Torque (kgf-cm)	Power Factor(p.u.)	Efficiency (%)			
71M	0.37	PMCH040-4H1□□	4	220	60	CONT.	2.90	1700	20.9	0.9	64.8	IP55	F	Totally Enclosed Fan-Cooled

■ PE-F Type DIMENSIONS [Flange Mounted Type]



Note) • Key and Key groove tolerance : KS B 1311
 • ØD tolerance for output shaft : KS B 0401

Bearing No.		Weight
Load	Unload	
6205ZZ	6204ZZ	9kg

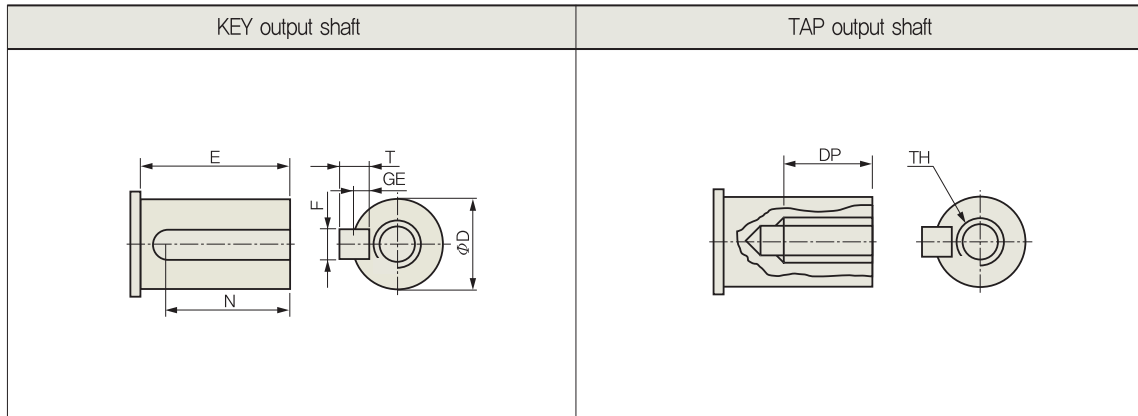
Model Name Coding
 9Page

Specification for output shaft
 30Page

Technological Data
 101Page

P Series MOTOR

■ Specification for output shaft



Dimension type Frame type	E	N	ØD	KEY				GE		TAP			
				F(h9)		T				TH	PITCH	DP	
63M	23	21	11 h6	$\begin{matrix} 0 \\ -0.011 \end{matrix}$	4		4		2.5	$\begin{matrix} +0.1 \\ 0 \end{matrix}$	M4	0.7	10
71M	30	27.5	14 j6	$\begin{matrix} +0.008 \\ -0.003 \end{matrix}$	5	$\begin{matrix} 0 \\ -0.030 \end{matrix}$	5	$\begin{matrix} 0 \\ -0.030 \end{matrix}$	3		M5	0.8	12
80M	40	37	19 j6	$\begin{matrix} +0.009 \\ -0.004 \end{matrix}$	6		6		3.5		M6	1.0	15
90L	50	46	24 j6	$\begin{matrix} +0.009 \\ -0.004 \end{matrix}$	8	$\begin{matrix} 0 \\ -0.036 \end{matrix}$	7	$\begin{matrix} 0 \\ -0.090 \end{matrix}$	4	$\begin{matrix} +0.2 \\ 0 \end{matrix}$	M8	1.25	20
100L	60	56	28 j6	$\begin{matrix} +0.009 \\ -0.004 \end{matrix}$							M10	1.5	25
112M	60	56	28 j6	$\begin{matrix} +0.009 \\ -0.004 \end{matrix}$							M10	1.5	25

Note) • Key and Key groove tolerance: KS B 1311

Model Name Coding
 9Page

Technological Data
 101Page