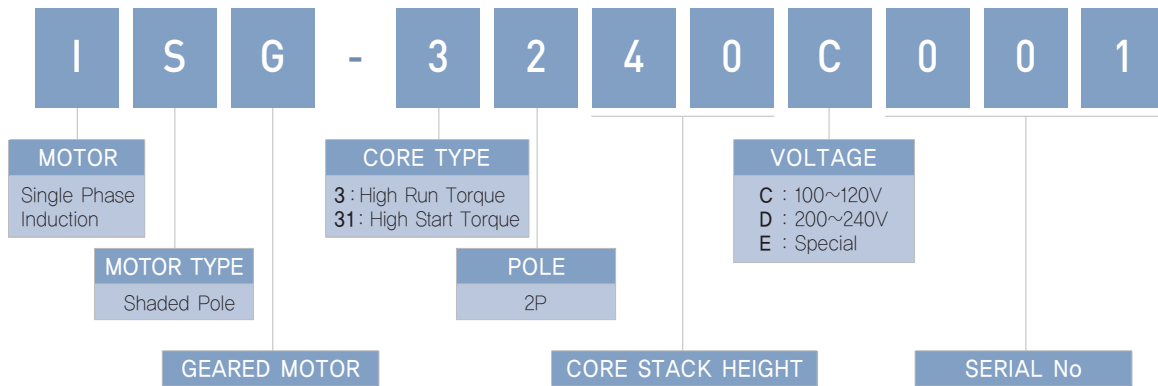
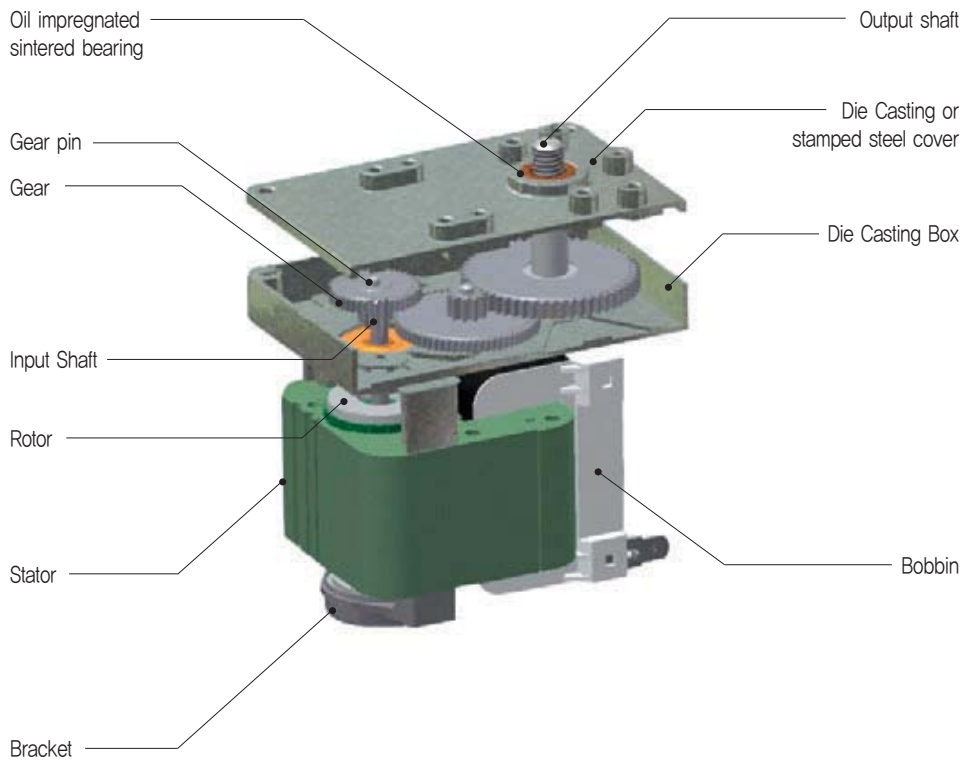


CODING SYSTEM

■ Coding System



■ Typical Geared Motor Construction



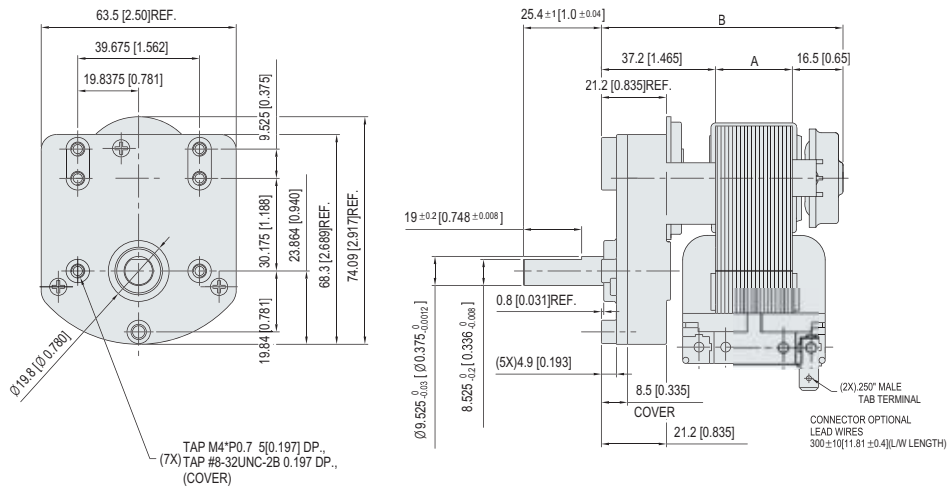


GEAR BOX SK Series motor ISG-3 Type

Maximum permissible torque of gear box : 115kgf-cm Max.

DIMENSION

UNIT : mm[inch]



Maximum permissible torque of gear box | 22

Type	A		B	
ISG-3215	15	0.591	68.7	2.705
ISG-3220	20	0.787	73.7	2.902
ISG-3225	25	0.984	78.7	3.098
ISG-3230	30	1.181	83.7	3.295
ISG-3240	40	1.575	93.7	3.689
ISG-3250	50	1.969	103.7	4.083

REDUCTION RATIOS & OUTPUT SPEED

Ratio	15.6	49.6	131.8	203.4	
Gear Steps	2		3		
Output Speed(Ref.)	@ 60Hz	230.8	72.6	27.3	17.7
	@ 50Hz	192.3	60.5	22.8	14.7

- Depending on Motor spec and Gear Box reduction ratio combination, Output speed and Torque specification can differ.
- If Cooling Fan and Clutch installed, Refer to Accessory Part. (Due to Fan and Clutch installation, motor's length is extended).
- Please contact our sales department regarding other gear ratio.
- The speed is calculated by dividing the motors synchronous speed (50Hz : 3,000rpm, 60Hz : 3,600rpm) by the gear ratio.