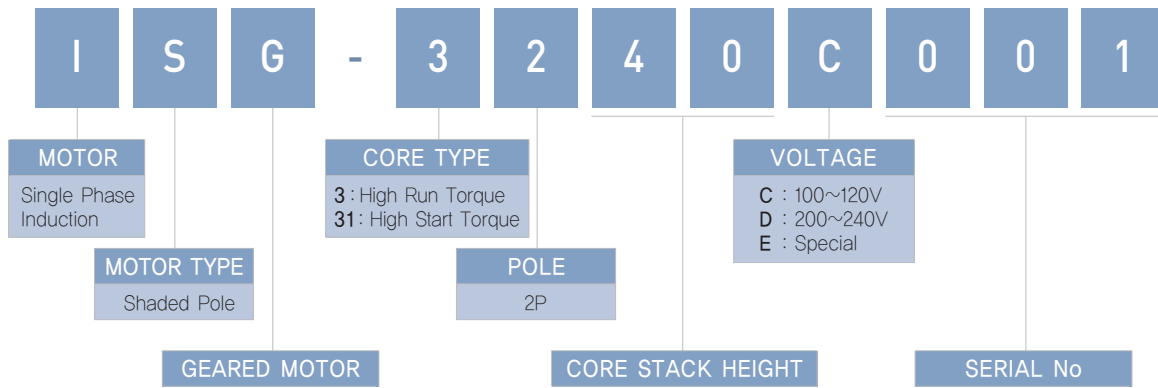
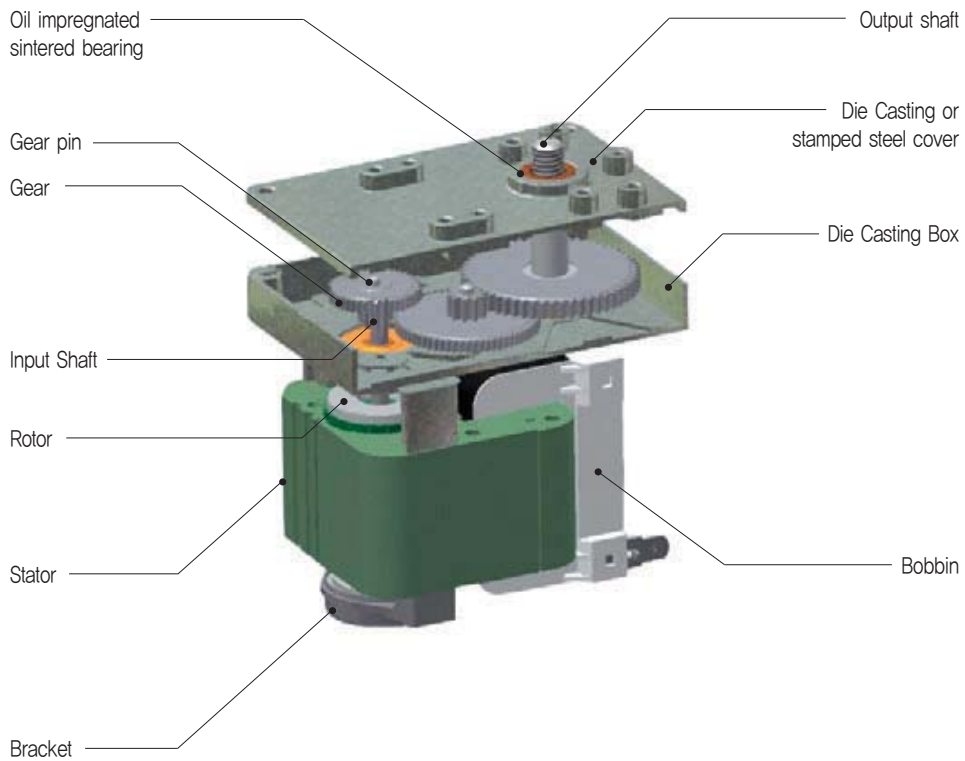


CODING SYSTEM

■ Coding System



■ Typical Geared Motor Construction



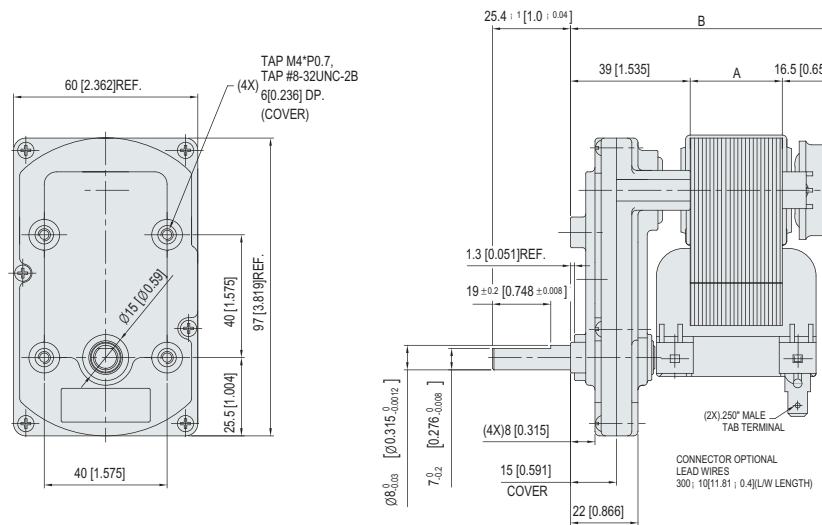


GEAR BOX D Series motor ISG-3 Type

Maximum permissible torque of gear box : 20kgf-cm Max.

DIMENSION

UNIT : mm[inch]



Maximum permissible torque of gear box | 8

Type	A		B	
ISG-3215	15	0.591	70.5	2.776
ISG-3220	20	0.787	75.5	2.972
ISG-3225	25	0.984	80.5	3.169
ISG-3230	30	1.181	85.5	3.366
ISG-3240	40	1.575	95.5	3.760
ISG-3250	50	1.969	105.5	4.154

REDUCTION RATIOS & OUTPUT SPEED

Ratio	5.8	14.9	34.8	75.6	84.2	95.8	109.5	125.2	146.1	173	278.3	354.7	422.5	517.2	836.7	906.9	
Gear Steps	3								4								
Output Speed(Ref.)	@ 60Hz	620.7	241.6	103.4	47.6	42.8	37.6	32.9	28.8	24.6	20.8	12.9	10.1	8.5	7.0	4.3	4.0
	@ 50Hz	517.2	201.3	86.2	39.7	35.6	31.3	27.4	24.0	20.5	17.3	10.8	8.5	7.1	5.8	3.6	3.3

- Depending on Motor spec and Gear Box reduction ratio combination, Output speed and Torque specification can differ.
- If Cooling Fan and Clutch installed, Refer to Accessory Part. (Due to Fan and Clutch installation, motor's length is extended).
- Please contact our sales department regarding other gear ratio.
- The speed is calculated by dividing the motors synchronous speed (50Hz : 3,000rpm, 60Hz : 3,600rpm) by the gear ratio.