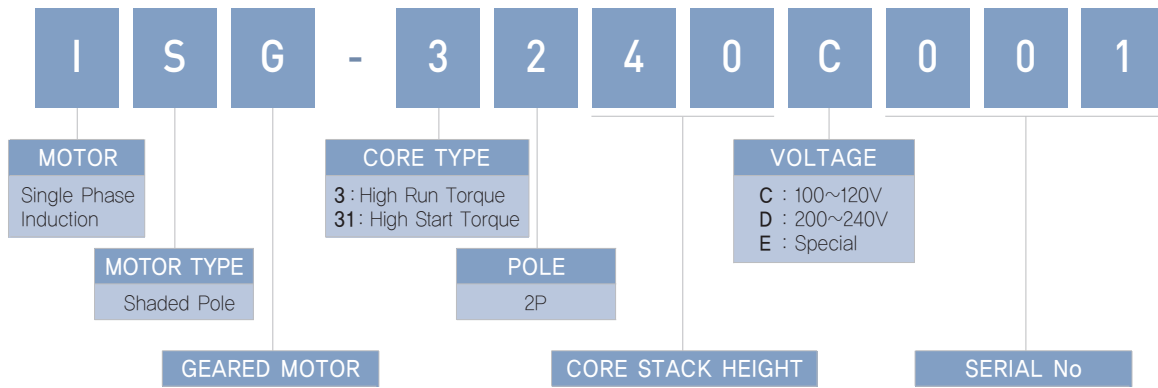
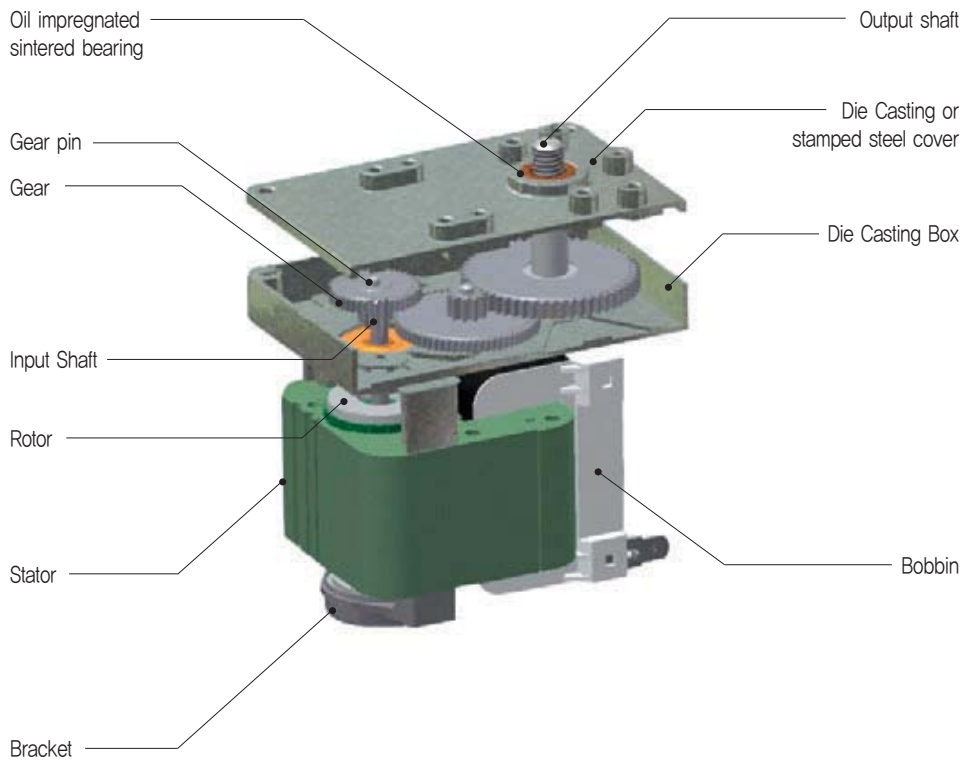


CODING SYSTEM

■ Coding System



■ Typical Geared Motor Construction



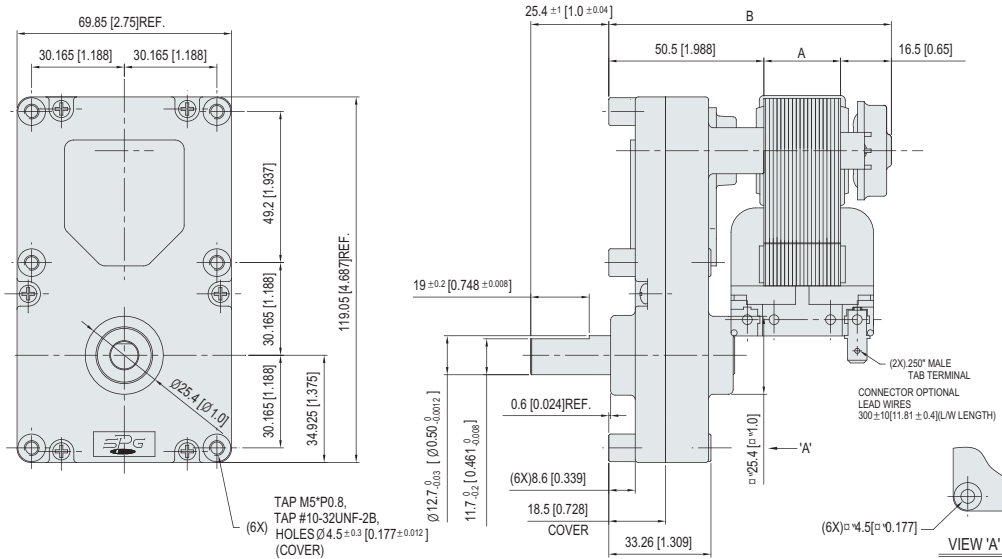


GEAR BOX SG Series motor ISG-3 Type

Maximum permissible torque of gear box : 345kgf-cm Max.

DIMENSION

UNIT : mm[inch]



Maximum permissible torque of gear box | 10

Type	A		B	
ISG-3215	15	0.591	82	3.228
ISG-3220	20	0.787	87	3.425
ISG-3225	25	0.984	92	3.622
ISG-3230	30	1.181	97	3.819
ISG-3240	40	1.575	107	4.213
ISG-3250	50	1.969	117	4.606

REDUCTION RATIOS & OUTPUT SPEED

Ratio	45.6	127.1	245.4	346.5	513.4	532.1	764.2	852.9	1418.9	1585.6	1827.2	
Gear Steps	3			4				5				
Output Speed(Ref.)	@ 60Hz	78.9	28.3	14.7	10.4	7.0	6.8	4.7	4.2	2.5	2.3	2.0
	@ 50Hz	65.8	23.6	12.2	8.7	5.8	5.6	3.9	3.5	2.1	1.9	1.6

- Depending on Motor spec and Gear Box reduction ratio combination, Output speed and Torque specification can differ.
- If Cooling Fan and Clutch installed, Refer to Accessory Part. (Due to Fan and Clutch installation, motor's length is extended).
- Please contact our sales department regarding other gear ratio.
- The speed is calculated by dividing the motors synchronous speed (50Hz : 3,000rpm, 60Hz : 3,600rpm) by the gear ratio.

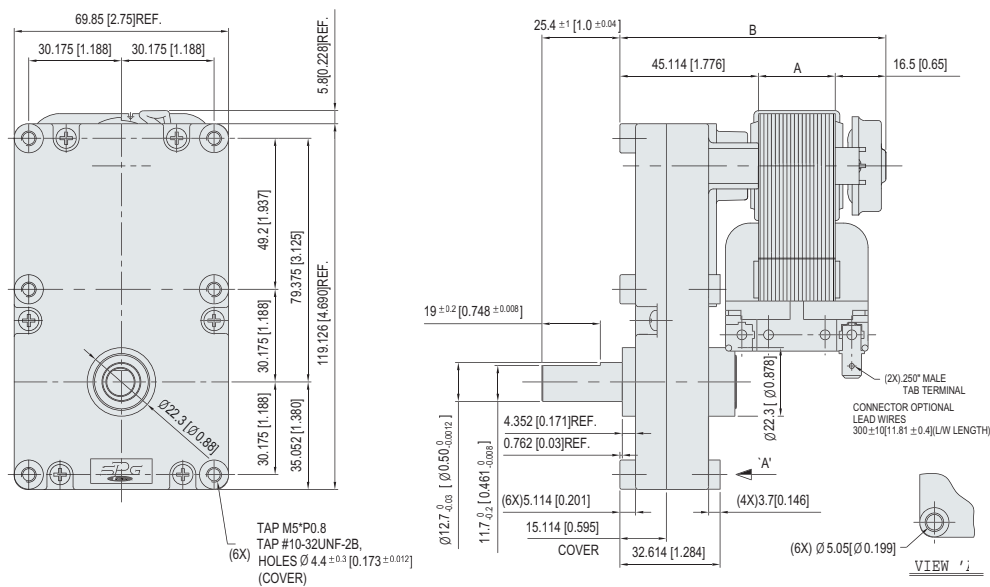


GEAR BOX SG2 Series motor ISG-3 Type

Maximum permissible torque of gear box : 345kgf-cm Max.

DIMENSION

UNIT : mm[inch]



Type	A		B	
ISG-3215	15	0,591	76,614	3,016
ISG-3220	20	0,787	81,614	3,213
ISG-3225	25	0,984	86,614	3,410
ISG-3230	30	1,181	91,614	3,607
ISG-3240	40	1,575	101,614	4,001
ISG-3250	50	1,969	111,614	4,394

REDUCTION RATIOS & OUTPUT SPEED

Ratio	395.7	1218.1	1412.5	1620.7	1709.9	3238.2	
Gear Steps	4			5			
Output Speed(Ref.)	@ 60Hz	9.1	3.0	2.5	2.2	2.1	1.1
	@ 50Hz	7.6	2.5	2.1	1.9	1.8	0.9

- Depending on Motor spec and Gear Box reduction ratio combination, Output speed and Torque specification can differ.
- If Cooling Fan and Clutch installed, Refer to Accessory Part. (Due to Fan and Clutch installation, motor's length is extended).
- Please contact our sales department regarding other gear ratio.
- The speed is calculated by dividing the motors synchronous speed (50Hz : 3,000rpm, 60Hz : 3,600rpm) by the gear ratio.