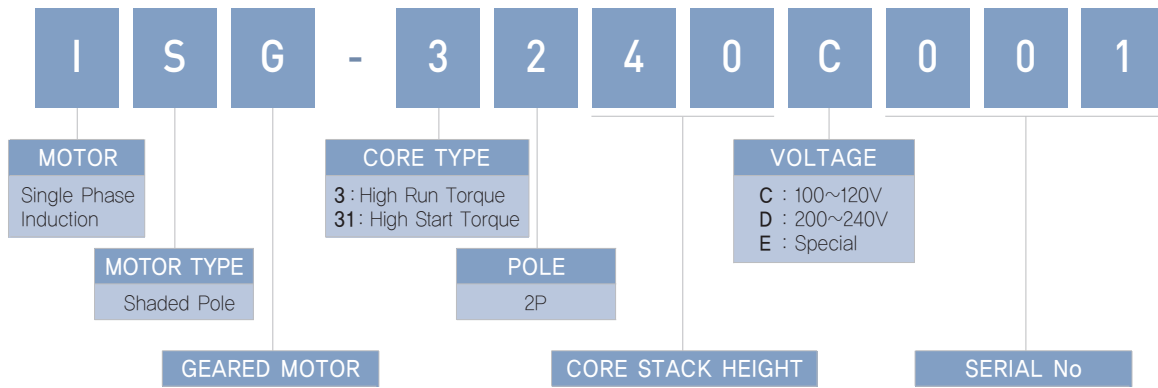
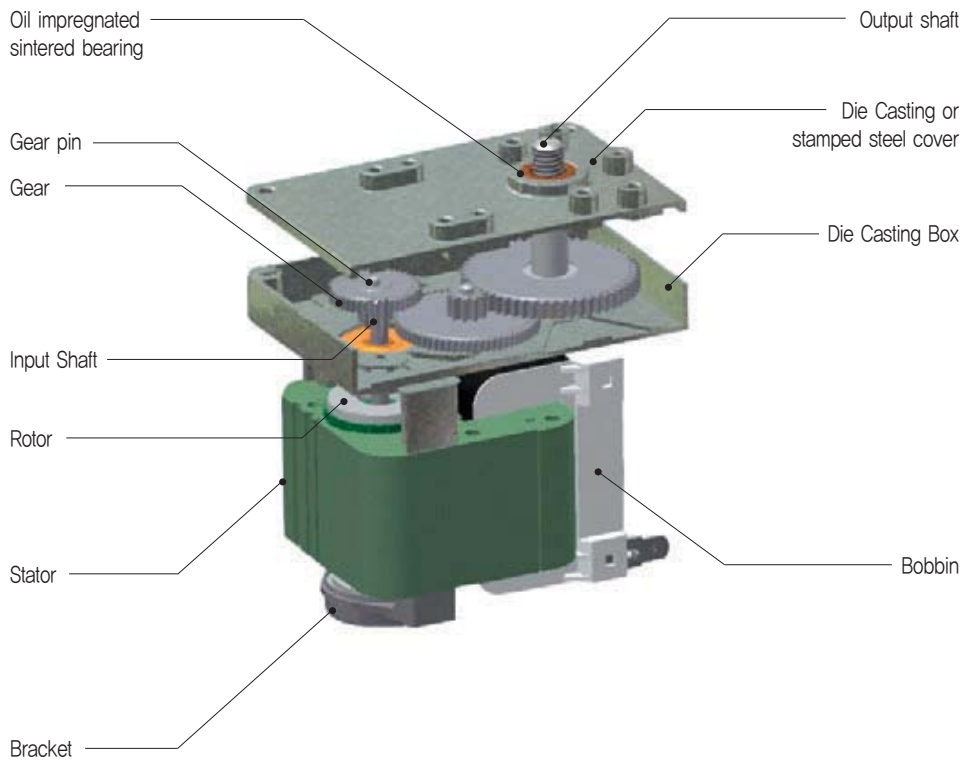


CODING SYSTEM

■ Coding System



■ Typical Geared Motor Construction



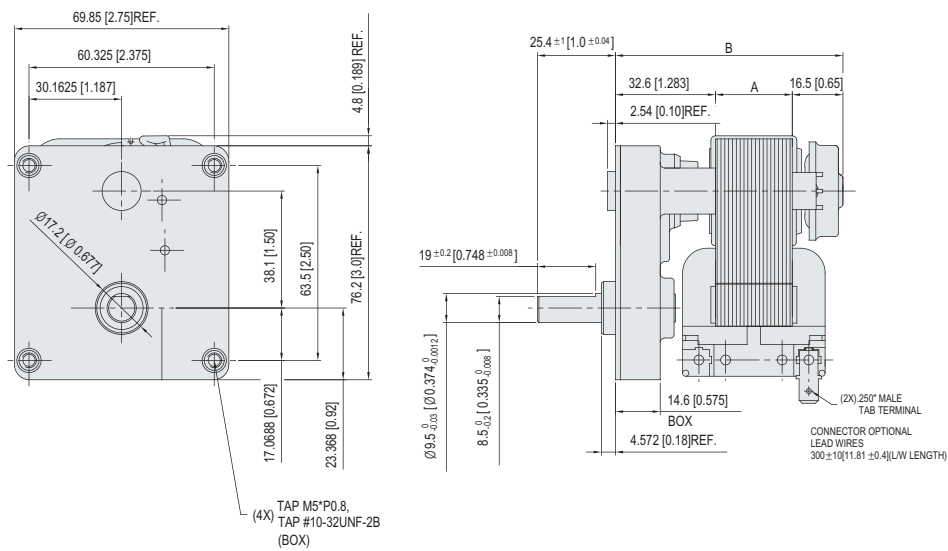


GEAR BOX SV Series motor ISG-3 Type

Maximum permissible torque of gear box : 115kgf-cm Max.

DIMENSION

UNIT : mm[inch]



Maximum permissible torque of gear box | 16

Type	A		B	
ISG-3215	15	0.591	64.1	2.524
ISG-3220	20	0.787	69.1	2.720
ISG-3225	25	0.984	74.1	2.917
ISG-3230	30	1.181	79.1	3.114
ISG-3240	40	1.575	89.1	3.508
ISG-3250	50	1.969	99.1	3.902

REDUCTION RATIOS & OUTPUT SPEED

Ratio	21.2	64.9	130.3	168	
Gear Steps	3				
Output Speed(Ref.)	@ 60Hz	169.8	55.5	27.6	21.4
	@ 50Hz	141.5	46.2	23.0	17.9

- Depending on Motor spec and Gear Box reduction ratio combination, Output speed and Torque specification can differ.
- If Cooling Fan and Clutch installed, Refer to Accessory Part. (Due to Fan and Clutch installation, motor's length is extended).
- It is stamped steel cover type.
- Please contact our sales department regarding other gear ratio.
- The speed is calculated by dividing the motors synchronous speed (50Hz : 3,000rpm, 60Hz : 3,600rpm) by the gear ratio.

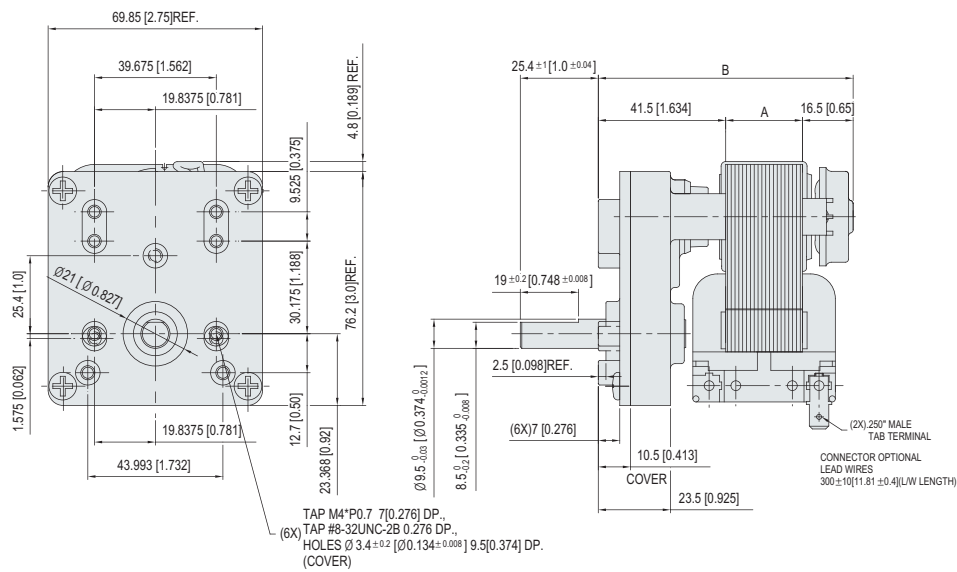


GEAR BOX SV-1 Series motor ISG-3 Type

Maximum permissible torque of gear box : 115kgf-cm Max.

DIMENSION

UNIT : mm[inch]



Type	A		B	
ISG-3215	15	0.591	73.0	2.874
ISG-3220	20	0.787	78.0	3.071
ISG-3225	25	0.984	83.0	3.268
ISG-3230	30	1.181	88.0	3.465
ISG-3240	40	1.575	98.0	3.858
ISG-3250	50	1.969	108.0	4.252

REDUCTION RATIOS & OUTPUT SPEED

Ratio	21.2	64.9	130.3	168	
Gear Steps	3				
Output Speed(Ref.)	@ 60Hz	169.8	55.5	27.6	21.4
	@ 50Hz	141.5	46.2	23.0	17.9

- Depending on Motor spec and Gear Box reduction ratio combination, Output speed and Torque specification can differ.
- If Cooling Fan and Clutch installed, Refer to Accessory Part. (Due to Fan and Clutch installation, motor's length is extended).
- Please contact our sales department regarding other gear ratio.
- The speed is calculated by dividing the motors synchronous speed (50Hz : 3,000rpm, 60Hz : 3,600rpm) by the gear ratio.