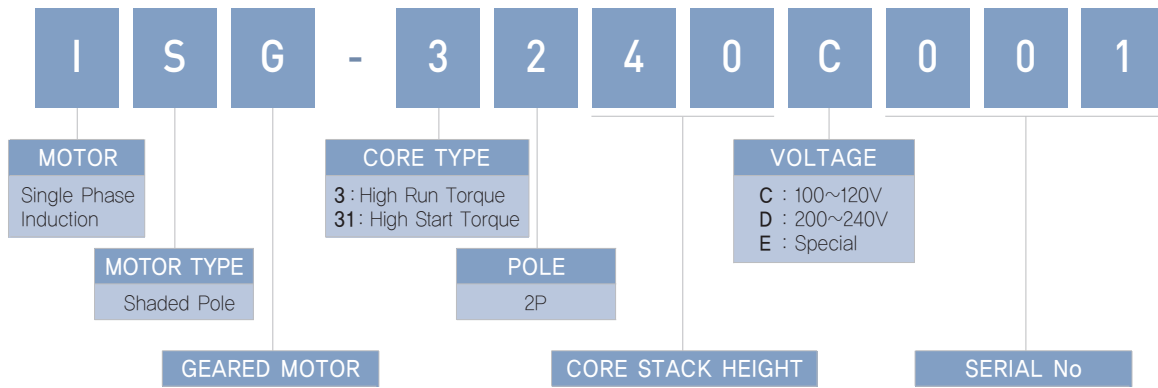
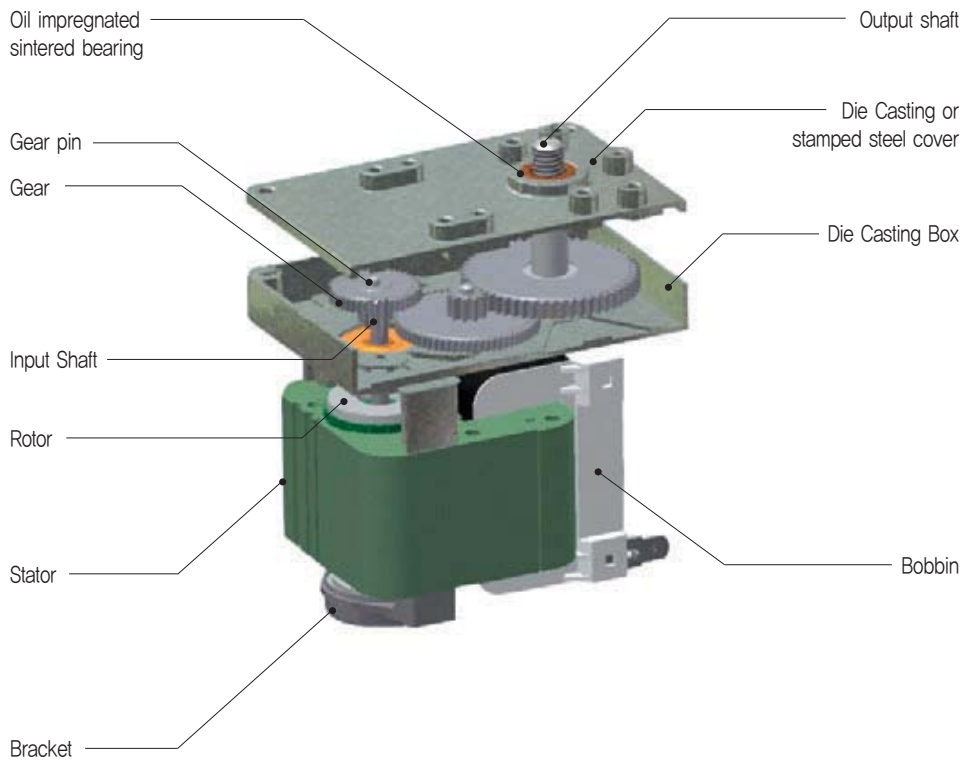


# CODING SYSTEM

## ■ Coding System



## ■ Typical Geared Motor Construction





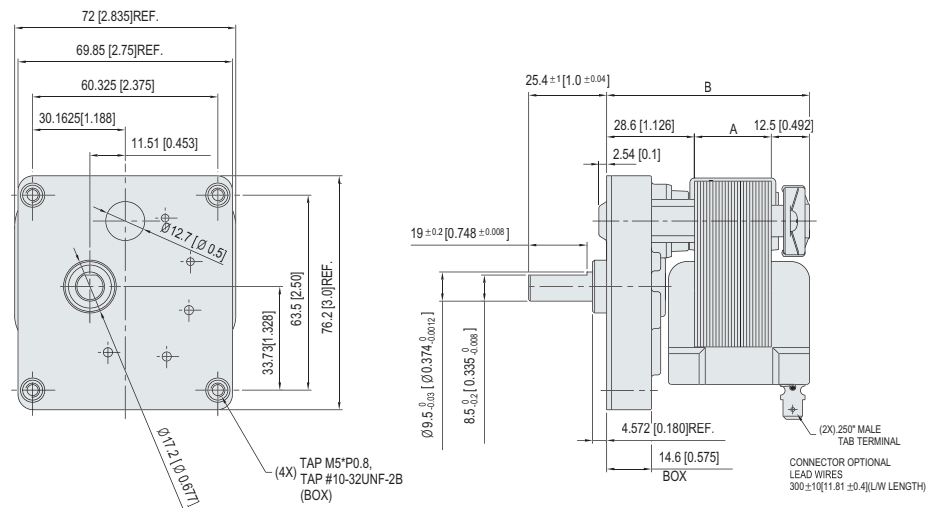


# GEAR BOX SVO Series motor ISG-31 Type

Maximum permissible torque of gear box : 115kgf-cm Max.

## DIMENSION

UNIT : mm[inch]



Type	A		B	
ISG-31215	15	0.591	56.1	2,209
ISG-31220	20	0.787	61.1	2,406
ISG-31225	25	0.984	66.1	2,602
ISG-31230	30	1.181	71.1	2,799

## REDUCTION RATIOS & OUTPUT SPEED

Ratio	168.1	597.1	711.6	1410.3	3023.1	3516.2	8071.5
Gear Steps	5			6			
Output Speed(Ref.)	@ 60Hz	21.4	6.0	5.1	2.6	1.2	0.4
	@ 50Hz	17.8	5.0	4.2	2.1	1.0	0.4

- Depending on Motor spec and Gear Box reduction ratio combination, Output speed and Torque specification can differ.
- If Cooling Fan installed, Refer to Accessory Part. (Due to Fan installation, motor's length is extended).
- It is stamped steel cover type.
- Please contact our sales department regarding other gear ratio.
- The speed is calculated by dividing the motors synchronous speed (50Hz : 3,000rpm, 60Hz : 3,600rpm) by the gear ratio.