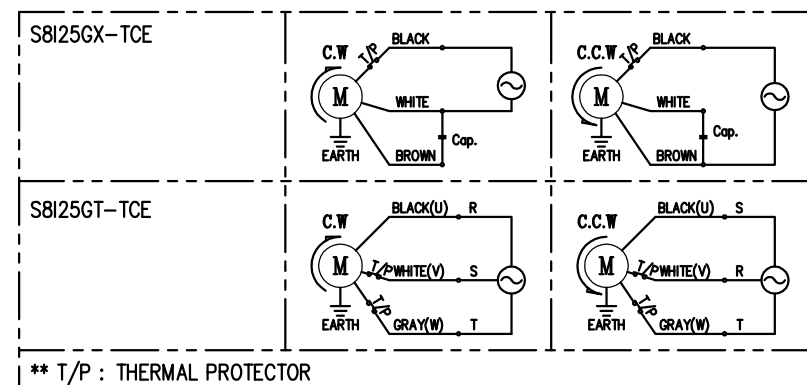


NOTE

1. TYPE : AC INDUCTION MOTOR (TERMINAL BOX TYPE)
2. ROTATION : VIEWED FROM SHAFT END C.W. or C.C.W.
3. END PLAY : 0.02inch (0.5mm) Max.

▽ SCHEMATIC



** T/P : THERMAL PROTECTOR

△									
△									
△									
	DATE	SIGN	NOTE				REVISION		
	MATERIAL	SURFACE FINISH		SCALE	1/1	TOLERANCE	± 0.04 [1.0]		
	DRAWN	DESIGN	CHECK	APPR.	NAME				
	Y.M. WON	B.Y. JEONG	S.M. KIM						
	2011.06.24	2011.06.24	2011.06.24		MOTOR ASS'Y S8I25G □ -TCE				
	SPG Co., Ltd.			DATE					