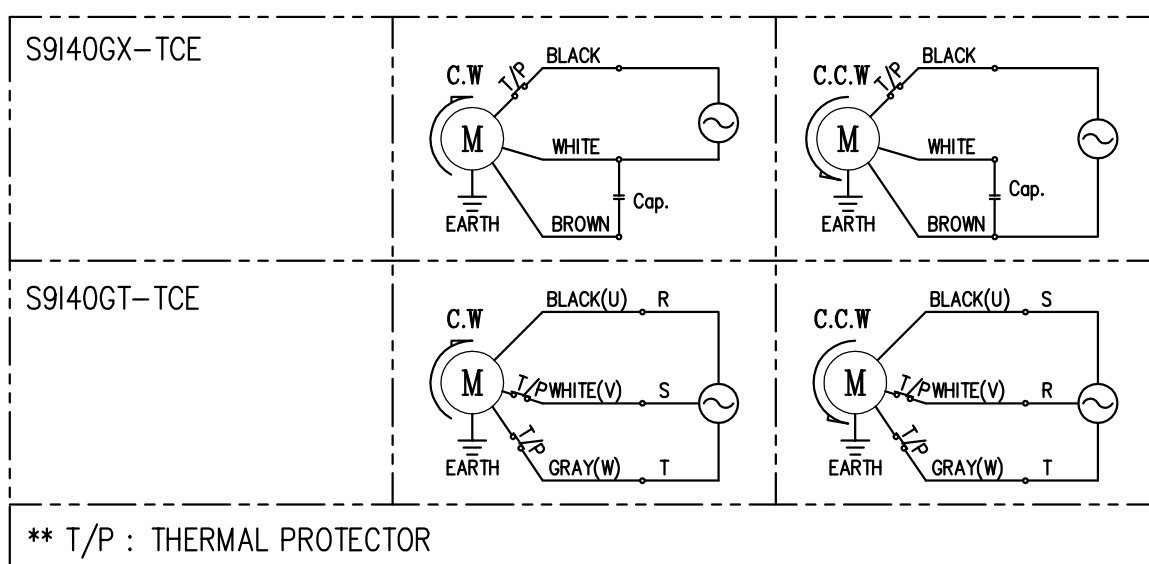


▽ SCHEMATIC



NOTE

1. TYPE : AC INDUCTION MOTOR (TERMINAL BOX TYPE)
2. ROTATION : VIEWED FROM SHAFT END C.W. or C.C.W.
3. END PLAY : 0.02inch (0.5mm) Max.

| | | | | | | | | | |
|---|------------------------|--------------------------|------------------------|-------|------|-----------------------------|--------------|--|--|
| △ | | | | | | | | | |
| △ | | | | | | | | | |
| △ | | | | | | | | | |
| | DATE | SIGN | NOTE | | | REVISION | | | |
| | MATERIAL | SURFACE FINISH | | SCALE | 1/1 | TOLERANCE | ± 0.04 [1.0] | | |
| | DRAWN | DESIGN | CHECK | APPR. | NAME | MOTOR ASS'Y S9I40G□ -TCE | | | |
| | Y.M. WON 2011.06.24 | B.Y. JEONG 2011.06.24 | S.M. KIM 2011.06.24 | | | | | | |
| | SPG Co., Ltd. | | | | DATE | | DWG NO. | | |