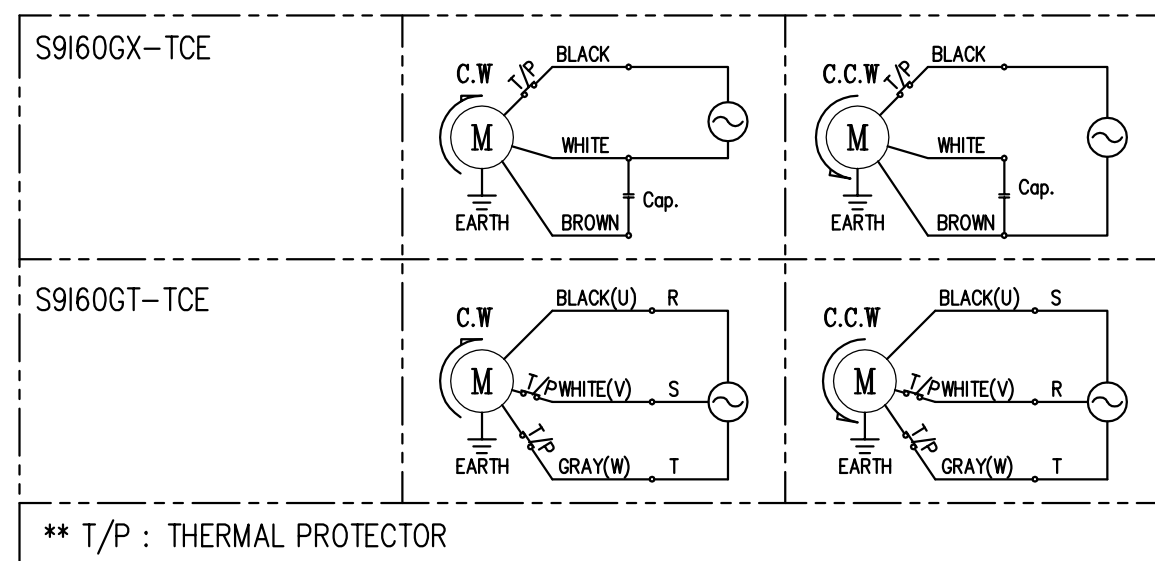


▽ SCHEMATIC



NOTE

1. TYPE : AC INDUCTION MOTOR (TERMINAL BOX TYPE)
2. ROTATION : VIEWED FROM SHAFT END C.W. or C.C.W.
3. END PLAY : 0.02inch (0.5mm) Max.

DATE	SIGN	NOTE	REVISION
MATERIAL	SURFACE FINISH	SCALE 1/1	TOLERANCE ± 0.04 [1.0]
DRAWN	DESIGN	CHECK	APPR.
Y.M. WON 2011.06.24	B.Y. JEONG 2011.06.24	S.M. KIM 2011.06.24	NAME
SPG Co., Ltd.			DATE
			DWG NO.

**MOTOR ASS'Y**  
**S9I60G□ -TCE**