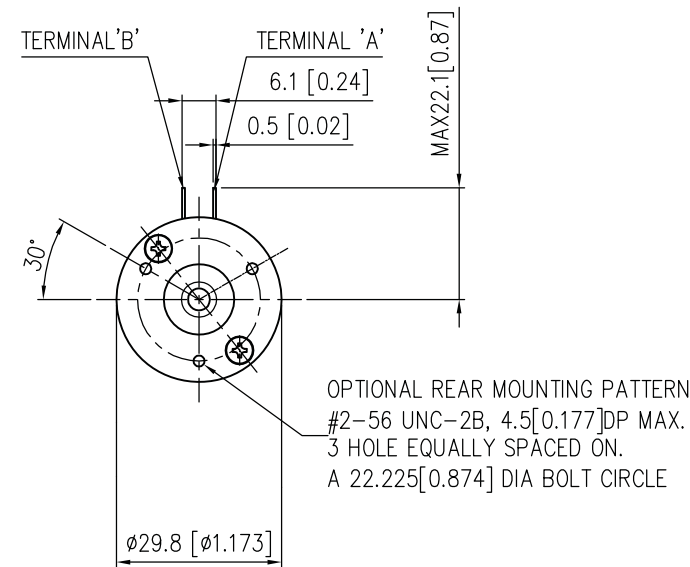
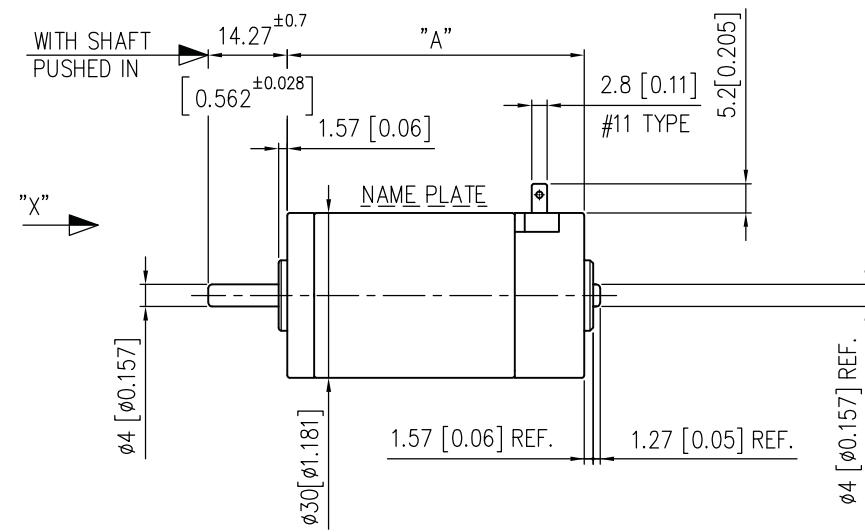
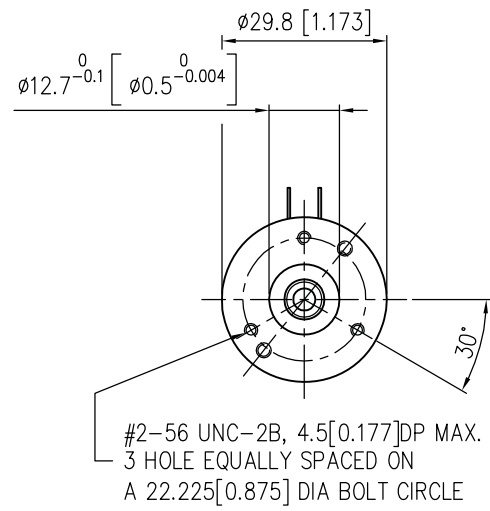
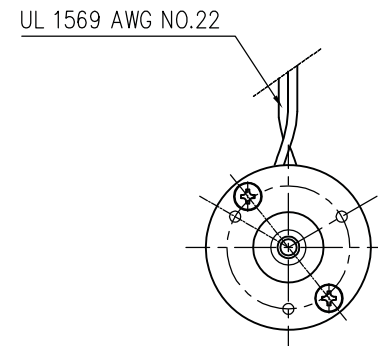
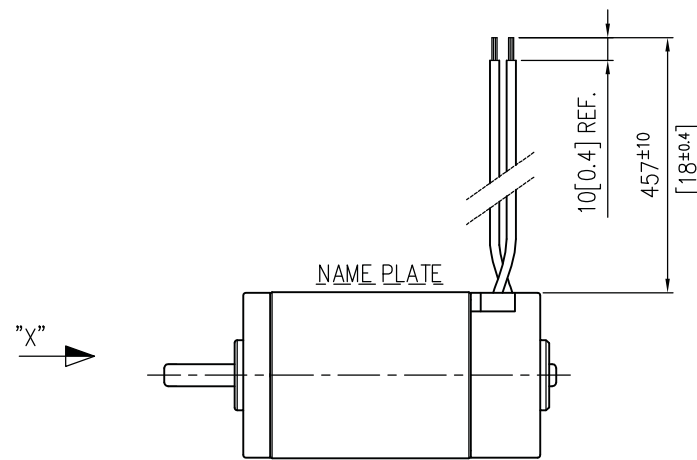
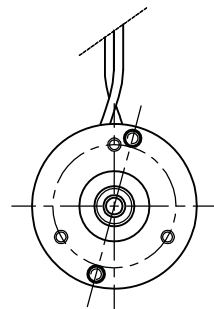


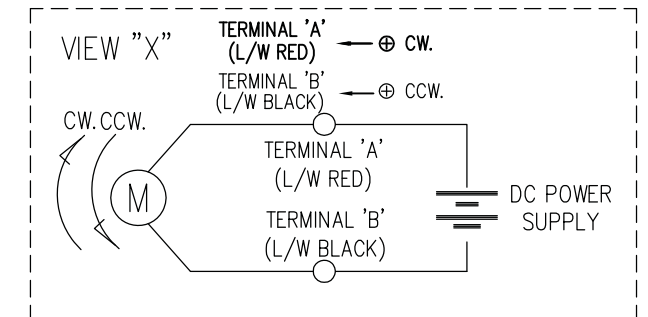
* RM3 series Motor w/ Terminal



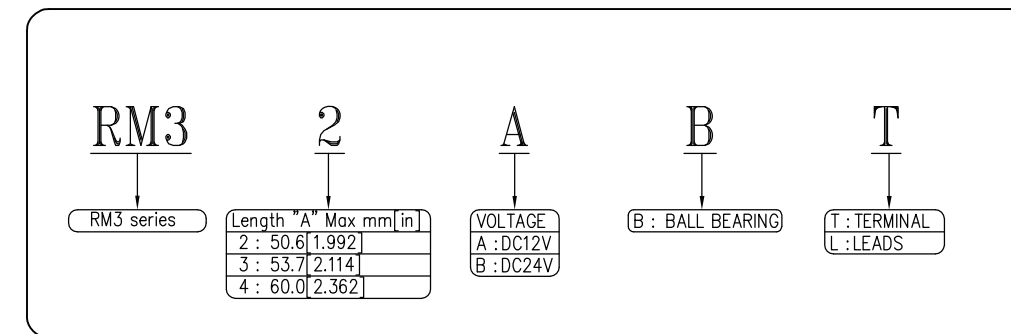
* RM3 series Motor w/Leads



SCHMATIC



CODING SYSTEM



NOTE

1. TYPE : PERMANENT MAGNET DC MOTOR
2. DIMENSION APPLIES WITH SHAFT PUSHED IN, DOES NOT INCLUDE 0.5mm[0.02]Max. OUTPUT SHAFT END PLAY.
3. UNIT : mm[inch]
4. CUSTOMER IS RESPONSIBLE FOR DETERMINING THAT MOTOR PERFORMANCE IS SUITABLE IN THE APPLICATION.

THIS DOCUMENT IS SOLELY THE PROPERTY OF SPG CO., LTD. REPRODUCTION, USE DISCLOSURE, OR TRANSMISSION OF THIS DOCUMENT OR DETAILS CONTAINED HEREIN, IN PART OR IN WHOLE, IS PROHIBITED WITHOUT THE WRITTEN CONSENT OF SPG CO., LTD ENGINEERING. THIS DOCUMENT AND ANY COPIES SHALL BE RETURNED TO SPG CO., LTD UPON WRITTEN REQUEST.

DATE		SIGN		변경 내용		변경 이유	
DATE		SIGN		NOTE		REVISION	
재질	표면처리	척도	1/1	공차	±1.0[0.04]		
MATERIAL	SURFACE FINISH	SCALE	1/1	TOLERANCE	±1.0[0.04]		
제도	설계	검도	승인	DC MOTOR ASS'Y			
DRAWN	DESIGN	CHECK	APPR.				
도명				RM3 TYPE			
NAME							
Y.G.SONG	S.H.BAEG	W.S.CHANG	K.H.YUN	작성일	2013.04.30	도번	
13.04.30	13.04.30	13.04.30	13.04.30	DATE		DWG NO.	
SPG Co., Ltd.							