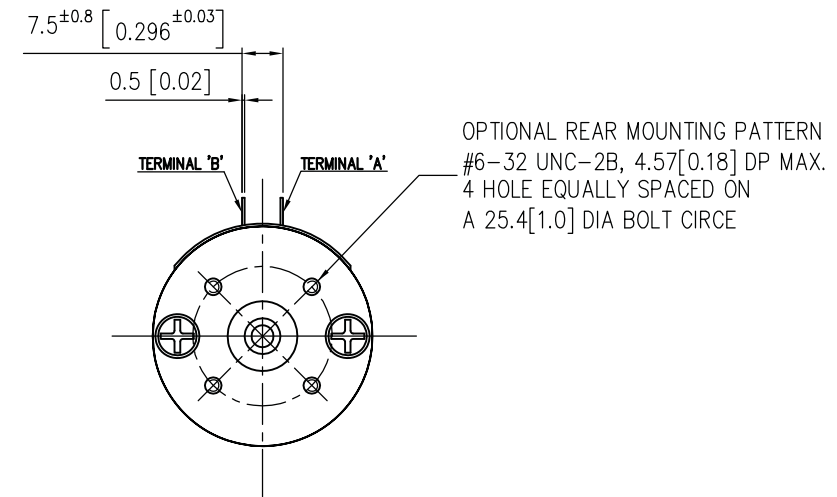
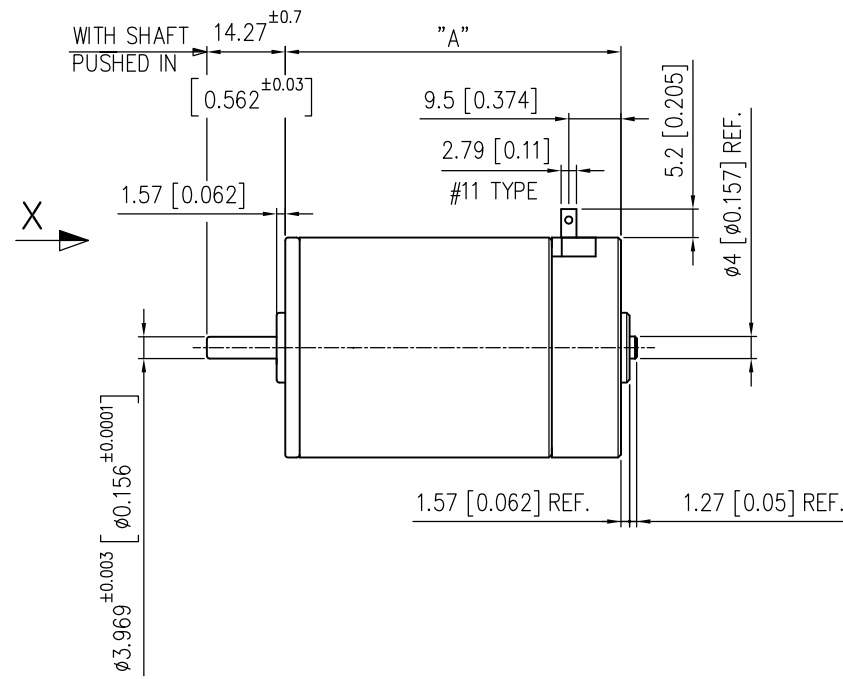
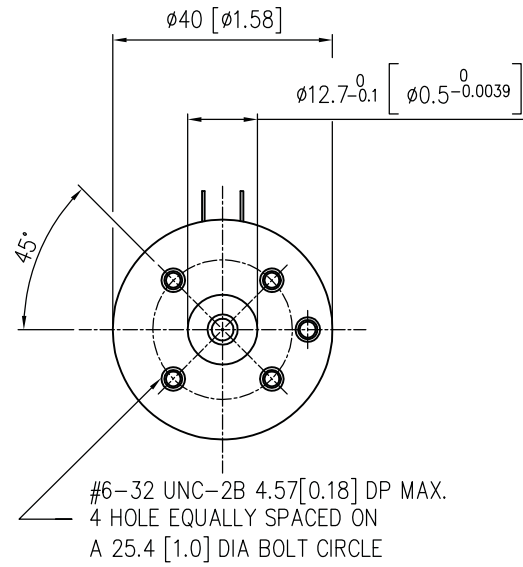
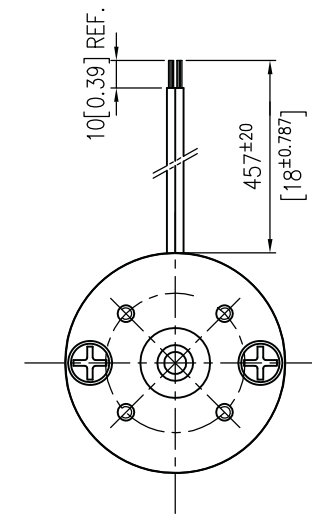
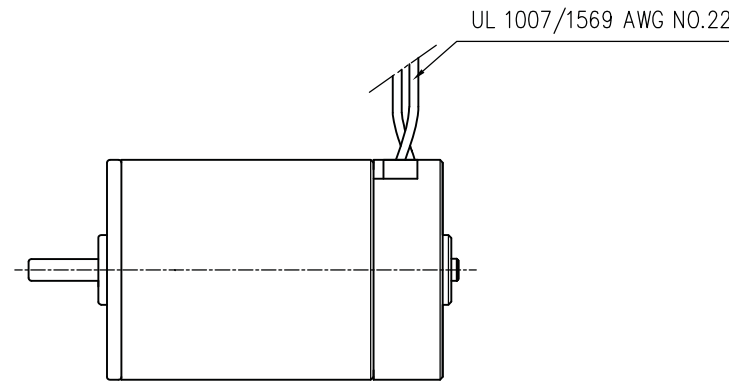
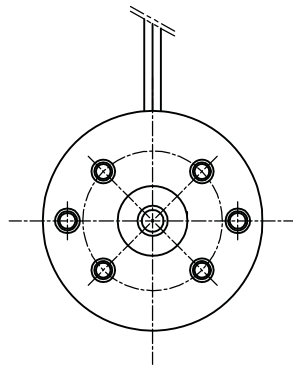


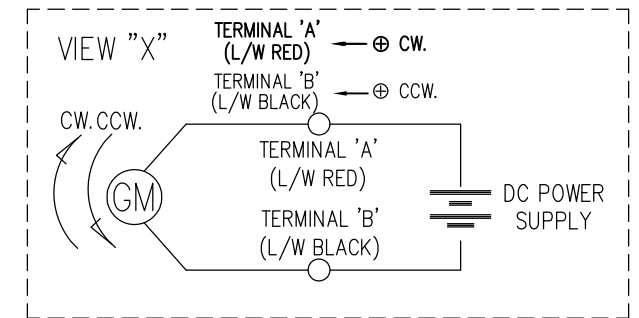
\* RM4 series motor w/ Terminal



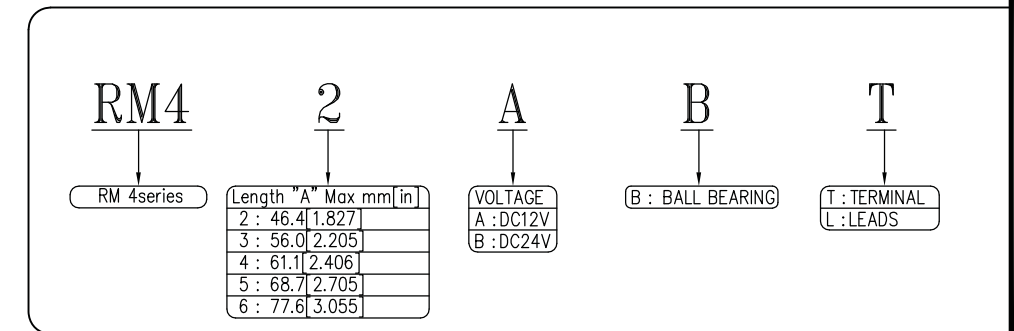
\* RM4 series motor w/Leads



SCHEMATIC



CODING SYSTEM



NOTE

1. TYPE : PERMANENT MAGNET DC MOTOR
2. DIMENSION APPLIES WITH SHAFT PUSHED IN, DOES NOT INCLUDE 0.5mm[0.02]Max. OUTPUT SHAFT END PLAY.
3. UNIT : mm[inch]
4. CUSTOMER IS RESPONSIBLE FOR DETERMINING THAT MOTOR PERFORMANCE IS SUITABLE IN THE APPLICATION.

THIS DOCUMENT IS SOLELY THE PROPERTY OF SPG CO., LTD. REPRODUCTION, USE DISCLOSURE, OR TRANSMISSION OF THIS DOCUMENT OR DETAILS CONTAINED HEREIN, IN PART OR IN WHOLE, IS PROHIBITED WITHOUT THE WRITTEN CONSENT OF SPG CO., LTD ENGINEERING. THIS DOCUMENT AND ANY COPIES SHALL BE RETURNED TO SPG CO., LTD UPON WRITTEN REQUEST.

DATE	SIGN	변경내용	변경이유
DATE	SIGN	NOTE	REVISION
재질	표면처리	척도	공차
MATERIAL	SURFACE FINISH	SCALE	TOLERANCE
1	1	1	±1.0[0.04]
제도	설계	검도	승인
DRAWN	DESIGN	CHECK	APPR.
Y.G.SONG	S.H.BAEG	W.S.CHANG	K.H.YUN
13.04.22	13.04.22	13.04.22	13.04.22
도명			
NAME			
DC MOTOR ASS'Y			
RM4 TYPE			
작성일	2013.04.22	도번	DWG NO.
DATE		DWG NO.	

# RM4 SERIES SPEC SHEET

Type	No Laod		Rated				Stall(Peak)		
	Revolution	Current	Contionuous Torque(Max.)		Revolution	Current	Peak Torque		Current
	RPM	A			RPM	A			A
RM42ABL	7015	0.5	0.02	N-m	4981	1.76	0.04	N-m	5.5
RM42ABT			2.22	oz-in			6.26	oz-in	
			0.16	kgf-cm			0.45	kgf-cm	
RM43ABL	5993	0.46	0.03	N-m	4015	3.36	0.09	N-m	9.7
RM43ABT			4.58	oz-in			12.50	oz-in	
			0.33	kgf-cm			0.89	kgf-cm	
RM44ABL	6151	0.44	0.04	N-m	4922	2.16	0.20	N-m	11.7
RM44ABT			5.97	oz-in			28.75	oz-in	
			0.43	kgf-cm			2.06	kgf-cm	
RM45ABL	6348	0.58	0.05	N-m	5326	2.66	0.26	N-m	16.3
RM45ABT			6.80	oz-in			37.49	oz-in	
			0.49	kgf-cm			2.68	kgf-cm	
RM46ABL	4916	0.52	0.07	N-m	3980	2.73	0.30	N-m	13.8
RM46ABT			9.44	oz-in			42.13	oz-in	
			0.68	kgf-cm			3.02	kgf-cm	
RM42BBL	7015	0.5	0.02	N-m	5497	0.74	0.06	N-m	2.9
RM42BBT			2.22	oz-in			8.13	oz-in	
			0.16	kgf-cm			0.58	kgf-cm	
RM43BBL	5993	0.46	0.03	N-m	4486	1.13	0.13	N-m	5.0
RM43BBT			4.58	oz-in			17.87	oz-in	
			0.33	kgf-cm			1.28	kgf-cm	
RM44BBL	6151	0.44	0.04	N-m	5111	1.20	0.24	N-m	7.7
RM44BBT			5.97	oz-in			33.87	oz-in	
			0.43	kgf-cm			2.43	kgf-cm	
RM45BBL	6348	0.58	0.05	N-m	5440	1.58	0.29	N-m	10.8
RM45BBT			6.80	oz-in			41.38	oz-in	
			0.49	kgf-cm			2.96	kgf-cm	
RM46BBL	4916	0.52	0.07	N-m	4101	1.53	0.33	N-m	8.7
RM46BBT			9.44	oz-in			47.12	oz-in	
			0.68	kgf-cm			3.37	kgf-cm	

날 짜		서 명		변 경 내 용		변 경 이 유	
DATE		SIGN		NOTE		REVISION	
재 질		표 면 처 리		척 도		공 차	
MATERIAL		SURFACE FINISH		SCALE		TOLERANCE	
제 도	설 계	검 도	승 인	DC MOTOR ASS'Y			
DRAWN	DESIGN	CHECK	APPR.				
Y.G.SONG	S.H.BAEG	W.S.CHANG	K.H.YUN	도 명			
13.05.07	13.05.07	13.05.07	13.05.07	NAME			
SPG SPG Co., Ltd.				작성 일	2013.05.07	도 번	
				DATE		DWG NO.	