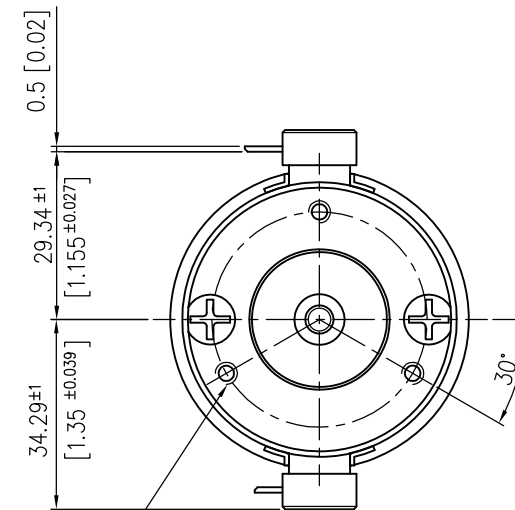
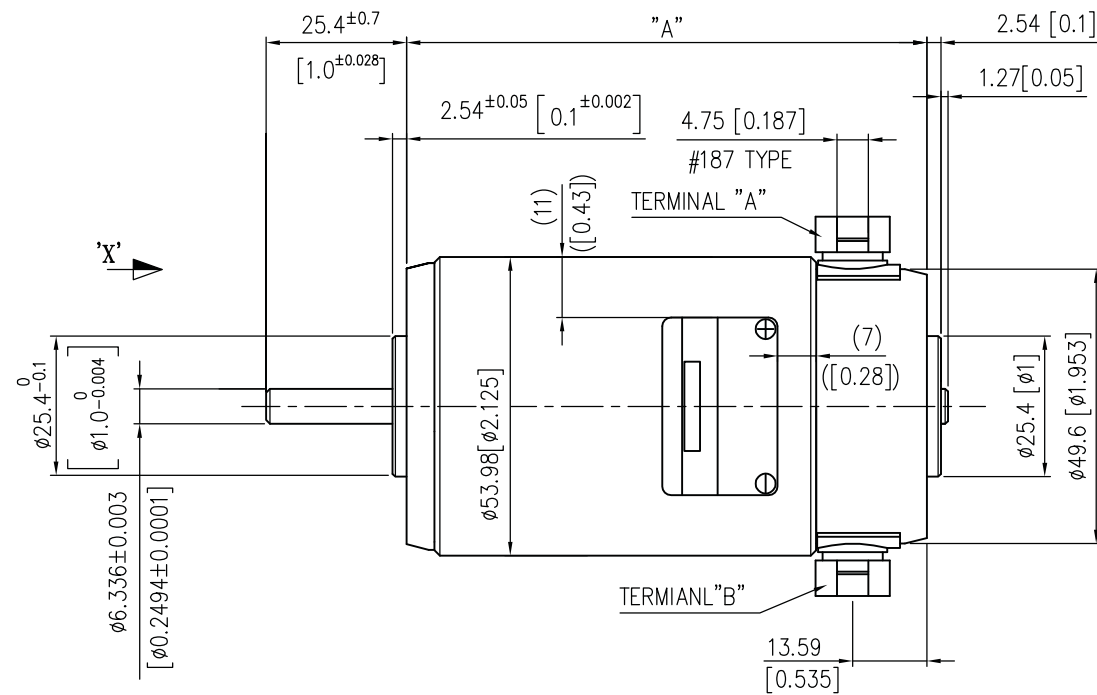
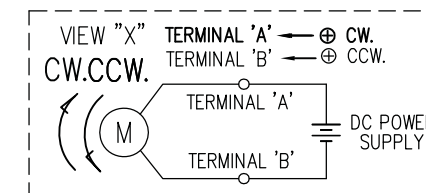


#6-32 UNC-2B, DP 6.35[0.25]Max.  
4 HOLE EQUALLY SPACED ON A  
ø38.9 [ø1.531] BOLT CIRCLE



OPTIONAL REAR MOUNTING PATTERN.  
#6-32 UNC-2B, 5.08[0.2] DP MAX.  
3 HOLE EQUALLY SPACED ON A  
ø38.9[ø1.531] BOLT CIRCLE

**SCHEMATIC**



**CODING SYSTEM**

|                 |                       |           |                  |              |
|-----------------|-----------------------|-----------|------------------|--------------|
| <b>RM5</b>      | <b>2</b>              | <b>A</b>  | <b>B</b>         | <b>T</b>     |
| RM5: RM 5series | Length "A" Max mm[in] | VOLTAGE   | B : BALL BEARING | T : TERMINAL |
|                 | 1 : 75.0 2.953        | A : DC12V |                  |              |
|                 | 2 : 81.0 3.189        | B : DC24V |                  |              |
|                 | 3 : 94.0 3.701        |           |                  |              |
|                 | 4 : 103.4 4.071       |           |                  |              |
|                 | 5 : 113.0 4.449       |           |                  |              |

**NOTE**

1. TYPE : PERMANENT MAGNET DC MOTOR
2. DIMENSION APPLIES WITH SHAFT PUSHED IN, DOES NOT INCLUDE 0.5mm[0.02]Max. OUTPUT SHAFT END PLAY.
3. UNIT : mm[inch]
4. CUSTOMER IS RESPONSIBLE FOR DETERMINING THAT MOTOR PERFORMANCE IS SUITABLE IN THE APPLICATION.

THIS DOCUMENT IS SOLELY THE PROPERTY OF SPG CO., LTD. REPRODUCTION, USE DISCLOSURE, OR TRANSMISSION OF THIS DOCUMENT OR DETAILS CONTAINED HEREIN, IN PART OR IN WHOLE, IS PROHIBITED WITHOUT THE WRITTEN CONSENT OF SPG CO., LTD ENGINEERING. THIS DOCUMENT AND ANY COPIES SHALL BE RETURNED TO SPG CO., LTD UPON WRITTEN REQUEST.

|               |                |                |                      |
|---------------|----------------|----------------|----------------------|
| 날짜            | 서명             | 변경내용           | 변경이유                 |
| DATE          | SIGN           | NOTE           | REVISION             |
| 재질            | 표면처리           | 척도             | 공차                   |
| MATERIAL      | SURFACE FINISH | SCALE 1/1      | TOLERANCE ±1.0[0.04] |
| 제도            | 설계             | 검도             | 승인                   |
| DRAWN         | DESIGN         | CHECK          | APPR.                |
| 승영국           |                |                | 도명                   |
| 13.05.06      |                |                | NAME                 |
| SPG Co., Ltd. |                | DC MOTOR ASS'Y |                      |
|               |                | RM5 TYPE       |                      |
| 작성일           | 2013.05.06     | 도번             |                      |
| DATE          |                | DWG NO.        |                      |

## RM5 SERIES SPEC SHEET

| Type    | No Load           |              | Rated                       |        |                   |              | Stall(Peak) |        |              | VOLTAGE |
|---------|-------------------|--------------|-----------------------------|--------|-------------------|--------------|-------------|--------|--------------|---------|
|         | Revolution<br>RPM | Current<br>A | Contionuous<br>Torque(Max.) |        | Revolution<br>RPM | Current<br>A | Peak Torque |        | Current<br>A |         |
|         |                   |              |                             |        |                   |              |             |        |              |         |
| RM51ABT | 4230              | 0.8          | 0.057                       | N-m    | 3715              | 2.6          | 0.381       | N-m    | 18.3         |         |
|         |                   |              | 8.06                        | oz-in  |                   |              | 53.93       | oz-in  |              |         |
|         |                   |              | 0.58                        | kgf-cm |                   |              | 3.88        | kgf-cm |              |         |
| RM52ABT | 4087              | 1.0          | 0.077                       | N-m    | 3460              | 3.46         | 0.507       | N-m    | 24           |         |
|         |                   |              | 10.98                       | oz-in  |                   |              | 71.86       | oz-in  |              |         |
|         |                   |              | 0.79                        | kgf-cm |                   |              | 5.17        | kgf-cm |              |         |
| RM53ABT | 3450              | 1.0          | 0.104                       | N-m    | 2950              | 3.64         | 0.635       | N-m    | 26           |         |
|         |                   |              | 14.73                       | oz-in  |                   |              | 92.57       | oz-in  |              |         |
|         |                   |              | 1.06                        | kgf-cm |                   |              | 6.66        | kgf-cm |              |         |
| RM54ABT | 3600              | 0.8          | 0.125                       | N-m    | 3115              | 4.6          | 0.837       | N-m    | 34.9         |         |
|         |                   |              | 17.65                       | oz-in  |                   |              | 118.57      | oz-in  |              |         |
|         |                   |              | 1.27                        | kgf-cm |                   |              | 8.53        | kgf-cm |              |         |
| RM55ABT | 2930              | 0.8          | 0.163                       | N-m    | 2495              | 4.73         | 0.980       | N-m    | 32.5         |         |
|         |                   |              | 23.07                       | oz-in  |                   |              | 138.88      | oz-in  |              |         |
|         |                   |              | 1.66                        | kgf-cm |                   |              | 9.99        | kgf-cm |              |         |
| RM51BBT | 4230              | 0.4          | 0.06                        | N-m    | 3725              | 1.36         | 0.46        | N-m    | 11.36        |         |
|         |                   |              | 8.0                         | oz-in  |                   |              | 64.5        | oz-in  |              |         |
|         |                   |              | 0.58                        | kgf-cm |                   |              | 4.65        | kgf-cm |              |         |
| RM52BBT | 4087              | 0.5          | 0.09                        | N-m    | 3595              | 1.94         | 0.67        | N-m    | 15.55        |         |
|         |                   |              | 12.8                        | oz-in  |                   |              | 94.8        | oz-in  |              |         |
|         |                   |              | 0.92                        | kgf-cm |                   |              | 6.83        | kgf-cm |              |         |
| RM53BBT | 3400              | 0.5          | 0.15                        | N-m    | 2930              | 2.67         | 0.96        | N-m    | 19.27        |         |
|         |                   |              | 21.2                        | oz-in  |                   |              | 135.7       | oz-in  |              |         |
|         |                   |              | 1.53                        | kgf-cm |                   |              | 9.78        | kgf-cm |              |         |
| RM54BBT | 3630              | 0.5          | 0.18                        | N-m    | 3180              | 3.18         | 1.31        | N-m    | 26.47        |         |
|         |                   |              | 25.5                        | oz-in  |                   |              | 185.4       | oz-in  |              |         |
|         |                   |              | 1.84                        | kgf-cm |                   |              | 13.36       | kgf-cm |              |         |
| RM55BBT | 2900              | 0.4          | 0.22                        | N-m    | 2510              | 3.05         | 1.46        | N-m    | 23.6         |         |
|         |                   |              | 31.1                        | oz-in  |                   |              | 207.0       | oz-in  |              |         |
|         |                   |              | 2.24                        | kgf-cm |                   |              | 14.92       | kgf-cm |              |         |

## RS5 SERIES SPEC SHEET

| TYPE       | GEAR RATIO (0) | 5.9   | 19.7   | 65.5   |
|------------|----------------|-------|--------|--------|
| RS51AXT(0) | No Load (rpm)  | 717   | 215    | 65     |
| RS51BXT(0) | N-m            | 0.27  | 0.82   | 2.12   |
| RS51BZT(0) | oz-in          | 38.46 | 115.59 | 299.74 |
| RS51BZT(0) | kgf-cm         | 2.77  | 8.33   | 21.60  |
| RS52AXT(0) | No Load (rpm)  | 693   | 207    | 62     |
| RS52BXT(0) | N-m            | 0.43  | 1.29   | 2.12   |
| RS52AZT(0) | oz-in          | 61.01 | 183.35 | 299.74 |
| RS52BXZ(0) | kgf-cm         | 4.40  | 13.21  | 21.60  |

THIS DOCUMENT IS SOLELY THE PROPERTY OF SPG CO., LTD. REPRODUCTION, USE DISCLOSURE, OR TRANSMISSION OF THIS DOCUMENT OR DETAILS CONTAINED HEREIN, IN PART OR IN WHOLE, IS PROHIBITED WITHOUT THE WRITTEN CONSENT OF SPG CO., LTD ENGINEERING. THIS DOCUMENT AND ANY COPIES SHALL BE RETURNED TO SPG CO., LTD UPON WRITTEN REQUEST.

|                      |                      |                           |                     |                 |            |                               |  |
|----------------------|----------------------|---------------------------|---------------------|-----------------|------------|-------------------------------|--|
| △                    |                      |                           |                     |                 |            |                               |  |
| △                    |                      |                           |                     |                 |            |                               |  |
| 날 짜<br>DATE          |                      | 서 명<br>SIGN               |                     | 변 경 내 용<br>NOTE |            | 변 경 이 유<br>REVISION           |  |
| 재 질<br>MATERIAL      |                      | 표 면 처 리<br>SURFACE FINISH |                     | 척 도<br>SCALE    |            | 공 차<br>TOLERANCE              |  |
| 제 도<br>DRAWN         | 설 계<br>DESIGN        | 검 도<br>CHECK              | 승 인<br>APPR.        | 도 명<br>NAME     |            | DC MOTOR ASS'Y<br>RM(S)5 TYPE |  |
| Y.G.SONG<br>13.05.06 | S.H.BAEG<br>13.05.06 | W.S.CHANG<br>13.05.06     | K.H.YUN<br>13.05.06 |                 |            |                               |  |
| <b>SPG Co., Ltd.</b> |                      |                           |                     | 작성 일<br>DATE    | 2013.05.06 | 도 번<br>DWG NO.                |  |