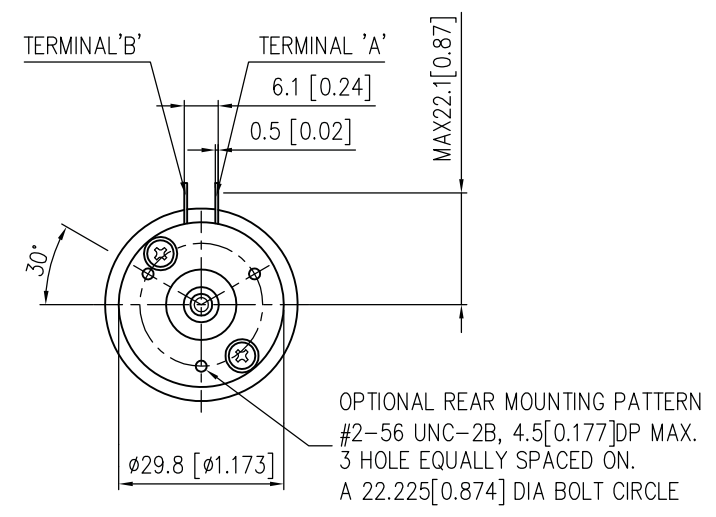
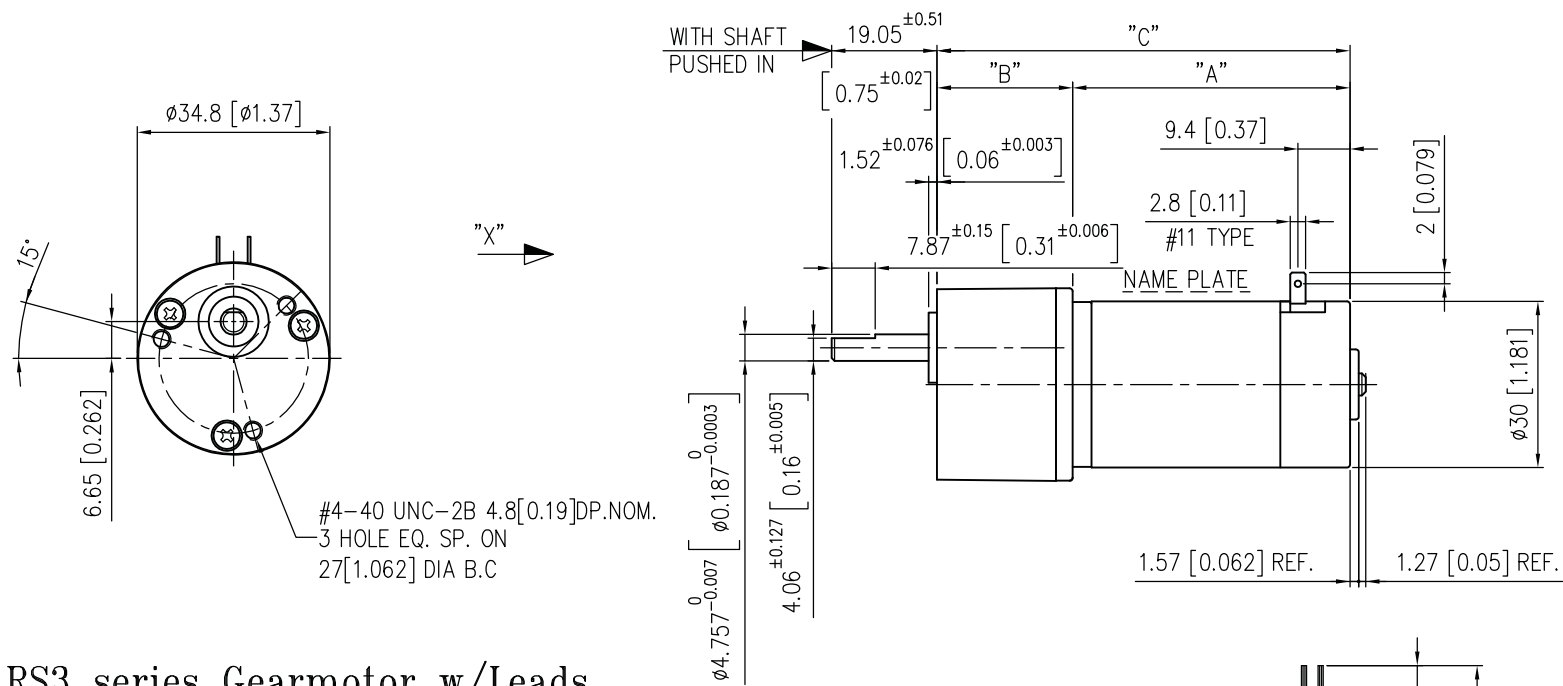
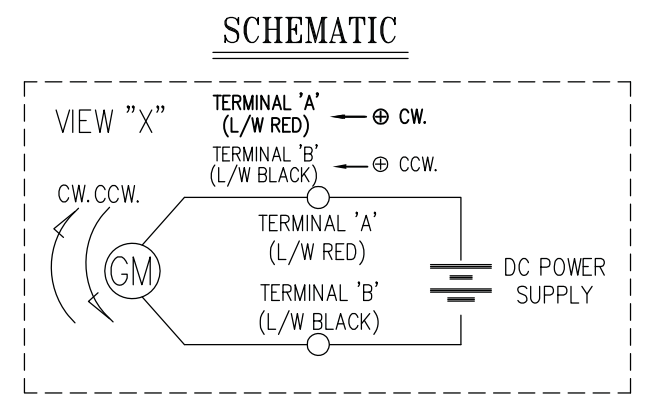
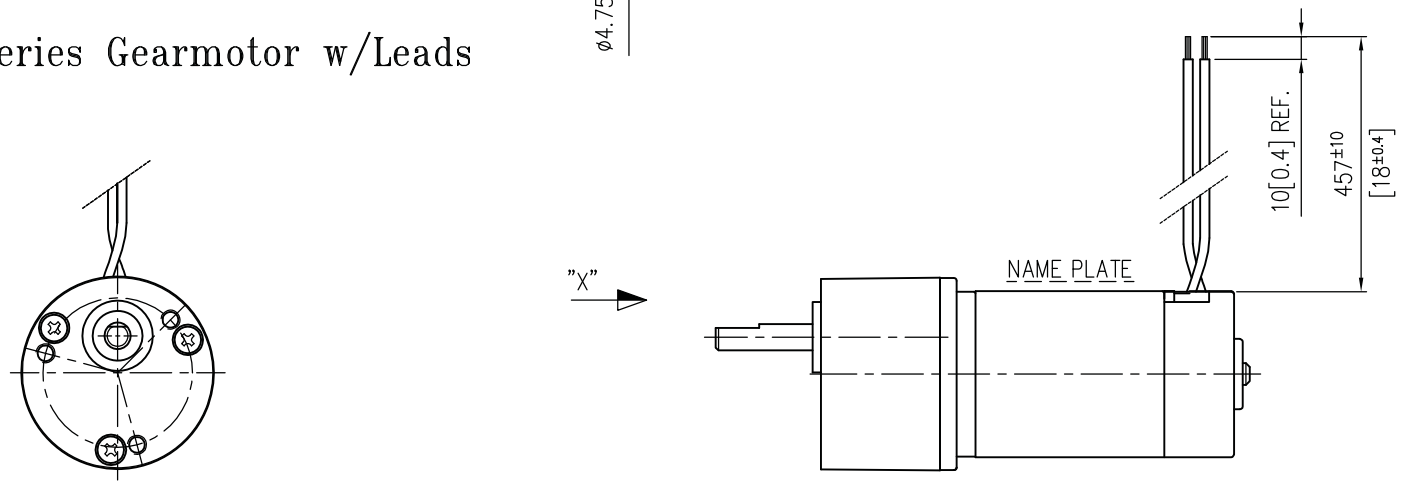


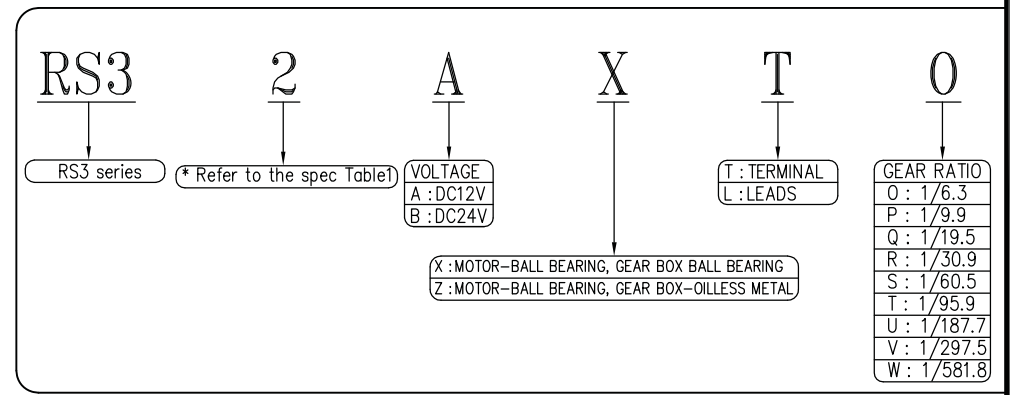
* RS3 series Gearmotor w/ Terminal



* RS3 series Gearmotor w/Leads



CODING SYSTEM



* Refer to the spec Table 1

CODING SYSTEM	"A"	"B"		"C"	
		RATIO : ~1/187.7	RATIO : 1/297.5~	RATIO : ~1/187.7	RATIO : 1/297.5~
RS3 2	50.1[1.972]			74.6[2.937]	77.6[3.055]
RS3 3	52.2[2.055]	24.5[0.965]	27.5[1.083]	76.7[3.020]	79.7[3.138]
RS3 4	58.5[2.303]			83.0[3.268]	86.0[3.386]

NOTE

1. TYPE : PERMANENT MAGNET DC GEAERED MOTOR
2. DIMENSION APPLIES WITH SHAFT PUSHED IN, DOES NOT INCLUDE 0.5mm[0.02]Max. OUTPUT SHAFT END PLAY.
3. UNIT : mm[inch]
4. CUSTOMER IS RESPONSIBLE FOR DETERMINING THAT MOTOR PERFORMANCE IS SUITABLE IN THE APPLICATION.

THIS DOCUMENT IS SOLELY THE PROPERTY OF SPG CO., LTD. REPRODUCTION, USE DISCLOSURE, OR TRANSMISSION OF THIS DOCUMENT OR DETAILS CONTAINED HEREIN, IN PART OR IN WHOLE, IS PROHIBITED WITHOUT THE WRITTEN CONSENT OF SPG CO., LTD ENGINEERING. THIS DOCUMENT AND ANY COPIES SHALL BE RETURNED TO SPG CO., LTD UPON WRITTEN REQUEST.

날 짜 DATE	서 명 SIGN	변 경 내 용 NOTE	변 경 이 유 REVISION
재 질 MATERIAL	표 면 처 리 SURFACE FINISH	척 도 SCALE	1/1 公差 TOLERANCE ±1.0[0.04]
제 도 DRAWN	설 계 DESIGN	검 도 CHECK	승 인 APPR.
Y.G.SONG 13.04.22	S.H.BAEG 13.04.22	W.S.CHANG 13.04.22	K.H.YUN 13.04.22
도 명 NAME			DC MOTOR ASS'Y RS3 TYPE
작 성 일 DATE		2013.04.22	도 번 DWG NO.

