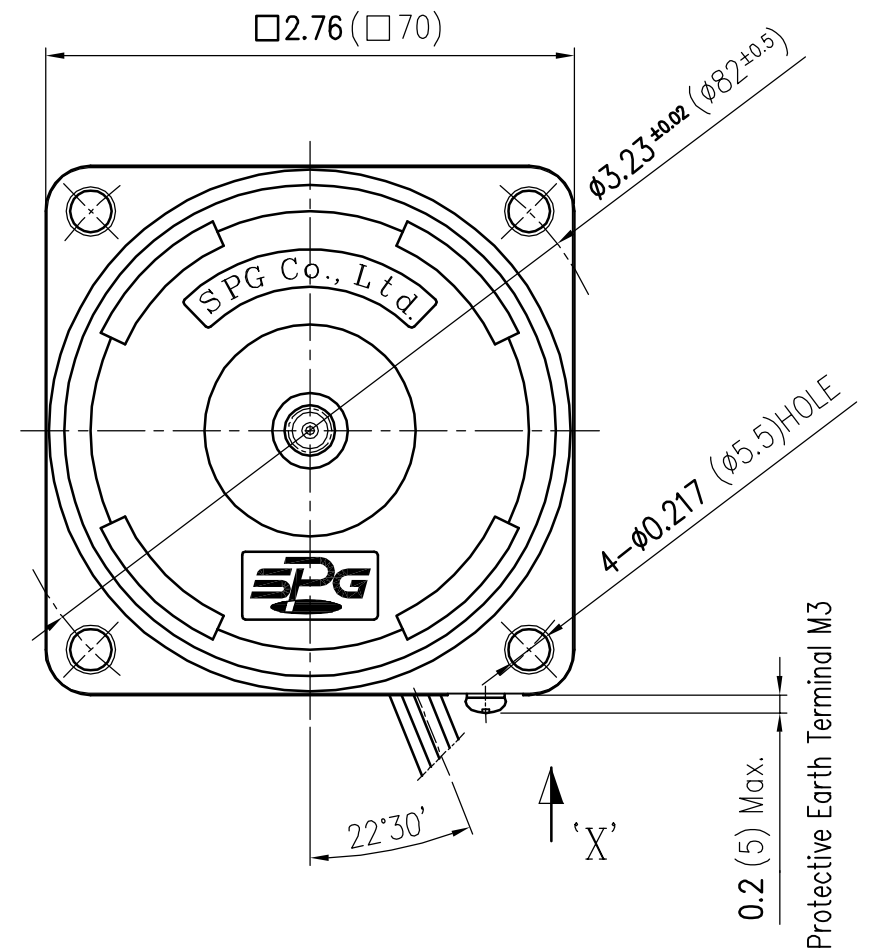
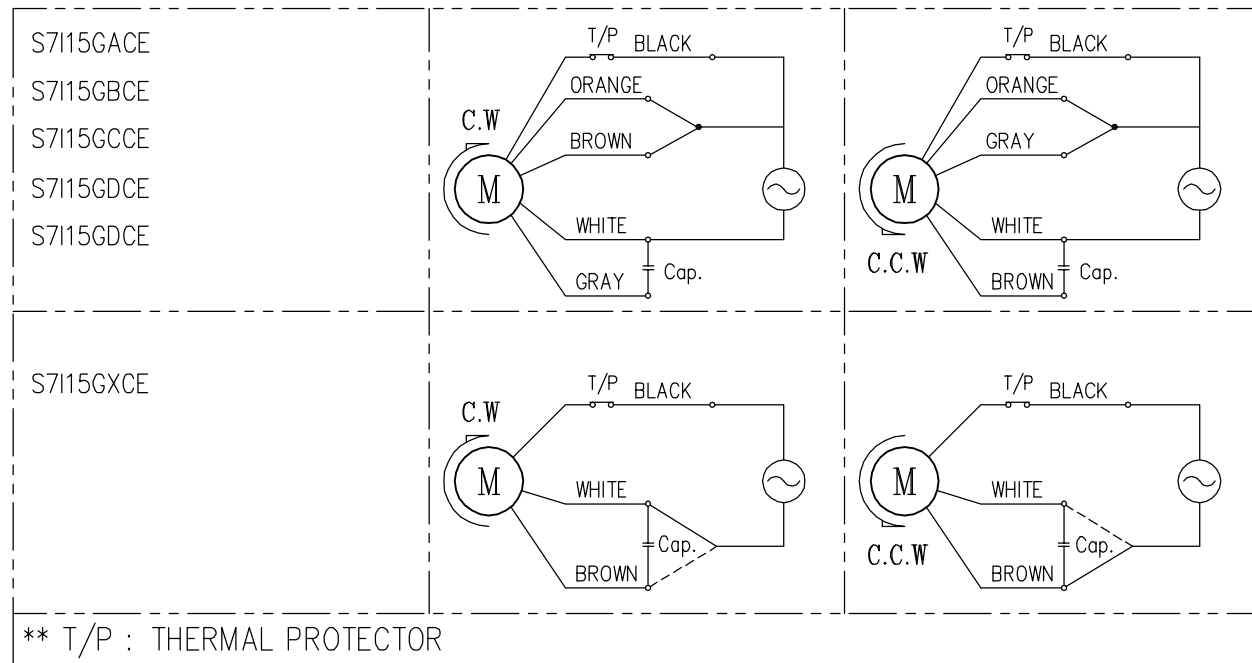


LEAD WIRE LENGTH 11.81 (300)

UL3266 AWG No.20



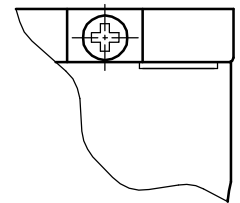
▽ SCHEMATIC



** T/P : THERMAL PROTECTOR

NOTE

1. TYPE : AC INDUCTION MOTOR
2. ROTATION : VIEWED FROM SHAFT END C.W. or C.C.W.
3. END PLAY : 0.02inch (0.5mm) Max.



VIEW 'X'

△									
△									
△									
	DATE	SIGN	NOTE			REVISION			
	MATERIAL	SURFACE FINISH		SCALE	1/1	TOLERANCE ± 0.04 [1.0]			
	DRAWN	DESIGN	CHECK	APPR.	MOTOR ASS'Y				
	Y.M. WON 2011.06.24	B.Y. JEONG 2011.06.24	S.M. KIM 2011.06.24	NAME					
	SPG Co., Ltd.					DATE	DWG NO.		

MOTOR ASS'Y
S7115G □ CE